

Dishwasher

Use & Care Guide



Table of Contents



Safety 1



What Can & Cannot be Washed2



Operating Tips 3



Loading 4



Dishwasher Use 5



Cycles, Options and Lights 6-7



Care & Cleaning 8



Troubleshooting 9-10



Warranty & Service 11

Guide d'utilisation et d'entretien12

Guía de Uso y Cuidado 24

Installer: Please leave this manual with this appliance.

Consumer: Please read and keep this manual for future reference. Keep sales receipt and/or cancelled check as proof of purchase.

Model Number _____

Serial Number _____

Date of Purchase _____

If you have questions, call:

1-800-688-9900 USA and 1-800-688-2002 CANADA

1-800-688-2080 (U.S. TTY for hearing or speech impaired) (Mon.-Fri., 8 am-8 pm Eastern Time)

In our continuing effort to improve the quality and performance of our appliances, it may be necessary to make changes to the appliance without revising this guide.

For service information, see page 11.



Safety

What You Need to Know About Safety Instructions

Warning and Important Safety Instructions appearing in this manual are not meant to cover all possible conditions and situations that may occur. Common sense, caution and care must be exercised when installing, maintaining or operating the dishwasher.

Always contact your manufacturer about problems or conditions you do not understand.

Recognize Safety Symbols, Words, Labels

WARNING

WARNING – Hazards or unsafe practices which **COULD** result in severe personal injury or death.


CAUTION

CAUTION – Hazards or unsafe practices which **COULD** result in minor personal injury or property damage.

Important Safety Instructions

WARNING

Check with the installer to make sure the appliance has been properly grounded to avoid possible electrical shock. Be sure you read the important personal safety instructions before you use this dishwasher.

Products with a  label have been listed with Underwriter's Laboratories, Inc. – those with a CSA tag have been listed with Canadian Standards Association. Nevertheless, as with any other equipment using electricity and moving parts, there is a potential hazard.

WARNING

When using your dishwasher, follow basic precautions, including the following:

1. Read all instructions before using the dishwasher.
2. Use the dishwasher only for its intended function.
3. Disconnect electrical power to dishwasher before attempting to service.
4. To avoid electrical shock hazard, the sides and back must be enclosed and the front panels must be attached before electrical power is applied to the dishwasher. Refer to the installation instructions for proper grounding procedures.
5. Connect to a properly rated, protected and sized power supply circuit to avoid electrical overload.
6. Children should never be permitted to operate, or play in, with, or around this dishwasher.
7. To reduce the risk of injury when loading items to be washed, sharp or pointed items should be located with the handles up. Also, load sharp items so they are not likely to damage the door seal.
8. Do not touch the heating element on the bottom of the tub during or at the completion of a cycle. It will be hot.
9. Use only detergents and rinse additives designed for a residential automatic dishwasher. Never use soap, laundry detergent, or hand washing detergent in your dishwasher. Keep these products out of reach of children.
10. Do not sit, stand on or abuse the door or dish racks of the dishwasher.
11. Under certain conditions, hydrogen gas may be produced in a hot water system that has not been used for two weeks or more. **Hydrogen gas is explosive.** If the hot water system has not been used for such a period, turn on all hot water faucets and let the water flow from each for several minutes. This will release any accumulated hydrogen gas. As the gas is flammable, do not smoke or use an open flame during this process.
12. Do not wash plastic items unless marked "dishwasher safe" or the equivalent. For plastic items not so marked, check the manufacturer's recommendations.
13. Do not tamper with controls.
14. To prevent accidental child entrapment and suffocation risks, always remove the door to the washing compartment when removing an old dishwasher from service or discarding it.
15. Use caution when unloading the dishwasher. Dishes will be hot if unloaded shortly after a cycle has completed.
16. Certified residential dishwashers are not intended for licensed food establishments.
17. To avoid water, mold or mildew damage to your home, inlet and drain hose connections should be checked periodically for leaks.

**Save These Instructions
for Future Reference**



What Can and Cannot Be Washed

Most tableware, cookware and flatware can safely be washed in your dishwasher. Check with the manufacturer.

MATERIAL	DISHWASHER SAFE?	SPECIAL INFORMATION
Aluminum	Yes, except anodized.	High water temperature and detergents may affect finish.
Cast Iron	No	Seasoning will be removed, and iron will rust.
China/Stoneware	Yes, except antique or hand-painted.	Always check manufacturer's recommendation before washing. Antique, hand-painted or over-the-glaze patterns may fade. Gold leaf may discolor.
Crystal	Yes, except antique or delicate crystal.	Always check manufacturer's recommendation before washing. Some types of leaded crystal may etch with repeated washings.
Filters	Not recommended.	May leave a dingy deposit or stain on dishwasher interior.
Glass	Yes	A specialty glass called milk glass can yellow with repeated dishwasher washing.
Gold-Plated Flatware	No	Will discolor.
Pewter, Tin	No	
Plastics	Yes, top rack, except disposable plastic items.	Always check manufacturer's recommendation before washing. Plastics vary in their capacity to withstand high water temperatures and detergents. Disposable plastic items are not dishwasher safe for this reason.
Stainless Steel	Yes	Run a Rinse Only cycle (select models) if not washing immediately. Prolonged contact with foods containing salt, vinegar, milk products or juice could damage finish.
Sterling Silver or Silverplate	No, if has commercial "darkening".	Always check manufacturer's recommendation before washing. Run a Rinse Only cycle (select models) if not washing immediately. Prolonged contact with food containing salt, acid or sulfide (eggs, mayonnaise and seafood) could damage finish. Commercial "darkening" may be removed by detergent.
Wooden Items	No	Wood may warp, crack or discolor.



Operating Tips

Before You Start

- **Don't prerinse. Simply scrape off any bones or large food particles.**
- If connected to a food waste disposer, **make certain the disposer is empty before starting the dishwasher.**
- **Scrape off tomato-based food soils** (see page 8).
- **Remove certain foods** such as mustard, mayonnaise, lemon juice, vinegar, salt or dressings **from stainless steel flatware as soon as possible.** These foods may cause rusting and pitting if allowed to remain in contact with the surface for an extended period of time.

Starting the Dishwasher

1. After loading the dishwasher and adding detergent, select the desired cycle by pressing the cycle select pad until the light next to the desired cycle is illuminated. Choose the desired options by pressing the pads. The indicator lights for the selected cycle and options will illuminate. To cancel an option press the pad again.
2. To start a cycle, close the door until it latches then press the **START/Cancel** pad once. After a pause, the fill will begin. The display countdown (select models) will flash until **START/Cancel** is pressed.

Note

- If **START/Cancel** is not pressed within 30 seconds of choosing your cycle, the dishwasher will turn off.

The dishwasher remembers your last cycle so you do not have to reset the cycle each time. To start the dishwasher using the same cycle and options selected on the previous wash, just press the **START/Cancel** pad.

3. To cancel a running cycle, press the **START/Cancel** pad once. The dishwasher will drain, then shut off. To turn the dishwasher off without draining, press the **START/Cancel** pad twice. To prevent unplanned cycle or option changes, these selections are "locked in" after 1 minute.

Note

- If the cycle select pad is pressed after the controls have been "locked in", the light beside the selected cycle will flash three times.

Adding a Forgotten Item

For best cleaning, the forgotten item should be added early in the cycle.

1. Grasp door handle and unlatch door without opening completely. All lights will flash to indicate that the cycle is suspended.
2. Wait for the water circulation to stop.
3. Open the door and add the item.
4. Close and latch the door. Lights will stop flashing when the door is properly shut. After a slight delay, the cycle resumes automatically at the point of interruption.

Notes

- If the door is opened during a running cycle, there may be up to a 30 second delay before the dishwasher restarts after closing the door.
- Extended interruption of the wash cycle is not recommended.



Loading

General Recommendations

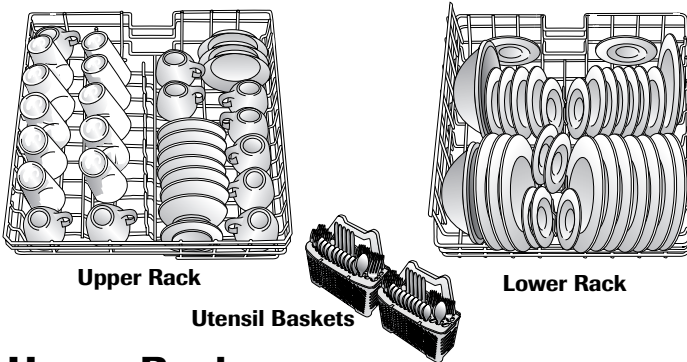
(Rack features vary by model)

- Items can be centered behind a single tine or loaded at an angle to maximize space.
- Avoid blocking or preventing the spray arms from spinning freely. Do not allow items to extend beyond the racks.
- Face soiled surfaces toward the center of the dishwasher.

For best dishwashing results follow these guidelines to determine the best arrangement for your items.

10 Place Setting Load

(Rack features vary by model)



Upper Rack

Glasses, cups, stemware, light-weight plastics, plates, bowls, pans, long-handled utensils etc. can be loaded in this rack. **Do not load glasses over the tines.**

Lower Rack

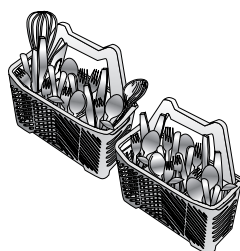
A variety of items such as dinner plates, mixing bowls, pots and pans and baking dishes can be loaded in this rack.

Wider items can be placed along the left side and back of this rack.

Utensil Baskets

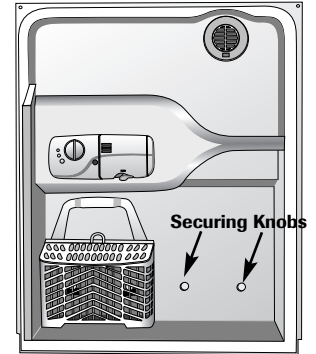
Removable Door Utensil Baskets

For best cleaning results, prevent items from nesting together by placing some items in the baskets with handles up and some with handles down. Load knives handles up and spoons and forks handles down.



To remove the basket(s) from the door:

1. Grasp the utensil basket by the handle. Slide it toward the top of the door.
2. Lift the basket off the securing knobs.



To replace the basket(s) in the door:

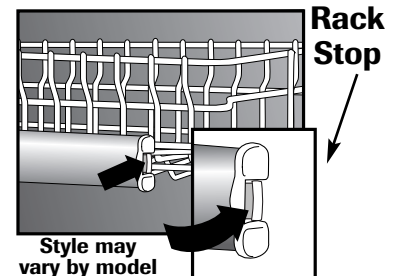
1. Align the slots on the backside of the utensil basket with securing knobs on the door.
2. Set the utensil basket on the securing knobs.
3. Slide the basket toward the bottom of the door until it locks into place.

Removing the Upper Rack

The rack can be removed when tall or oversized items need to be loaded into the lower rack. Unload the rack before removing it from the dishwasher.

To remove rack with tab-lock rack stops:

1. Roll the rack $\frac{1}{3}$ to $\frac{1}{2}$ of the way out.
2. Locate the rack stops at the end of each track. Squeeze the tab in the middle of the rack stop and pull the rack stop straight out. Take care to support the rack while removing the rack stops.
3. Roll the rack all the way out of the track and remove from the dishwasher.

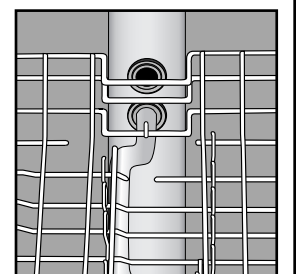


To replace:

1. Replace the dishwasher rack by guiding the wheels into the tracks.
2. Push each rack stop squarely into the end of the track until the catch pops into the small hole on the side of the track.

Important:

The dishwasher will not operate correctly if the wash arm is not aligned with one of the water inlet holes on back wall of the dishwasher.





Dishwasher Use

Hot Water

For optimal cleaning and drying results, hot water is necessary. The incoming water temperature should be 120° F (49° C) to properly activate the detergent and melt greasy food soils.

To check the incoming water temperature, turn on the hot water faucet nearest the dishwasher and let it run into a glass in the sink. Place a candy thermometer in the glass and check the temperature once it has stopped rising.

Detergent

Use a detergent designed specifically for use in an automatic dishwasher. Be sure it is fresh. Store granular detergent in a cool, dry place (*not under the sink*).

Recommended Amount

Too little detergent results in poor cleaning, hard water filming/spotting and poor drying. Too much detergent can cause permanent etching/cloudiness.

Suds can cause the dishwasher to overflow. Measure the detergent carefully and use only detergents designed for use in a dishwasher. Less detergent is needed in soft water. Try another brand of detergent if sudsing continues.

The amount of detergent to use is determined by the hardness of the water and soil level of the load. Refer to the following chart for detergent usage recommendations.

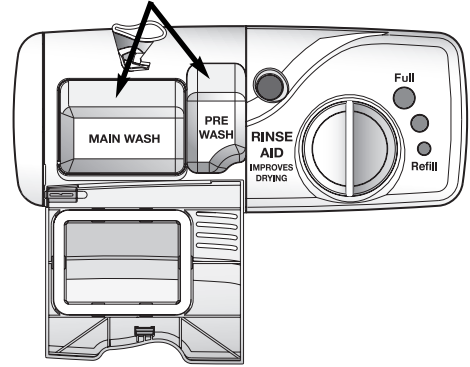
WATER HARDNESS*	SOIL LEVEL	PRE-WASH DETERGENT	MAIN WASH DETERGENT
Soft (0-4 gpg)	Light Soil	2 tsp	6 tsp
	Normal Soil	4 tsp	6 tsp
	Heavy Soil	4 tsp	7 tsp
Medium (5-9 gpg)	Light Soil	4 tsp	6 tsp
	Normal Soil	4 tsp	6 tsp
	Heavy Soil	5 tsp	7 tsp
Hard (10-12 gpg)	All Levels	5 tsp	8 tsp

*Your local water utility or state university extension service can tell you the degree of water hardness in your area.

In extremely hard water conditions (13 grains per gallon or more*), it is difficult to achieve good results with any dishwasher. A mechanical water

softener may be necessary to improve water quality, detergent effectiveness, and protect the dishwasher parts from the damage that hard water can cause.

Add recommended amount of detergent to each cup as shown and close the detergent lid.



Do not use detergent with the Rinse Only (select models) cycle. Leave the detergent lid open when running Rinse Only (select models).

Rinse Aid

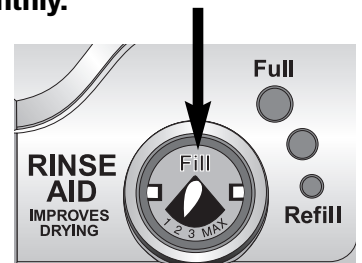
Regular use of a rinse aid improves drying, reduces spotting and filming, and reduces moisture left on the dishwasher interior.

An automatic rinse aid dispenser is located next to the detergent cup.

The window next to the dispenser cap indicates when the rinse aid reservoir needs to be refilled. When the level of rinse aid is below the indicator marks and the window is nearly clear, it is time to refill the dispenser.

Check the dispenser monthly.

To add rinse aid to the dispenser, turn the cap counterclockwise to open. Remove the cap and pour liquid rinse aid into the opening. The amount of rinse aid dispensed during



the cycle is adjustable by moving the lever inside the reservoir area. For most water conditions use the manufacturer recommended setting of “2”. Adjust it up to the “MAX” setting for hard water. Set the lever anywhere between these amounts as needed to get the best results. Replace the cap and turn it clockwise to close.



Cycles, Options and Lights

Cycles

Choose the cycle that best describes your dishload by pressing the cycle select pad. (See page 3, **Operating Tips**, for how to begin the cycle).

CYCLE	DESCRIPTION	TIME (APPROX. MINUTES)	NUMBER OF WASHES/RINSES
Heavy Wash	Long cycle for heavy food soils.	132*	2 washes/3 rinses
Normal Wash	Medium cycle for average food soils. The turbidity sensor is active with this cycle.	97-117*	1-2 washes**/1-2 rinses**
Light/Quick Wash	Short cycle for light food soils.	82*	1 wash/2 rinses
Rinse Only (select models)	Rinses dishes being held until there is a full load.	9	1 rinse

* Includes approximately 30 minutes of dry time.

**Number of fills will vary depending on the soil level of each load.

Note

- Depending on water temperature, there may be time added to the cycle to bring water up to temperature.

Options

In addition to choosing a cycle, choose as many available options **as are needed** for your dishload.

OPTION	DESCRIPTION	USE WITH CYCLES
Hi Temp Wash	Hi Temp Wash provides additional heat during the wash portion of the cycle, which ensures proper water temperature for better cleaning and drying results. It also adds an additional rinse to the cycle which improves results in hard water situations.	All cycles (except Rinse Only [select models])
Heated Dry	For enhanced drying results select this option. When Heated Dry is not selected, towel drying of some items such as plastic and items with non-stick surfaces may be necessary and more moisture may be noticed adhering to the dishwasher interior. In models with plastic interiors, it is normal to notice vapor escaping from the door vent as the heat dries your dishes. Vapor will escape even if Heated Dry is not selected.	All cycles (except Rinse Only [select models])
Delay	Used to automatically start the cycle at a later time. See page 7 for instructions.	All cycles

⚠ CAUTION

CAUTION – In models with plastic interiors, it is normal to notice vapor escaping from the door vent in the upper left corner of the door as the heat dries your dishes. The vapor is hot and may cause minor burns.



Cycles, Options and Lights

Delay

The **Delay** option can be used to automatically start the cycle at a later time to reduce daytime heat buildup in the home or to take advantage of reduced energy costs if available in your area. This option is also useful for conserving hot water at times of high household usage (showers, laundry).

To set up a Delay:

1. Select the appropriate cycle and options for the load. Close the door.
2. Press the **Delay** pad until the desired amount of delay time is selected.
3. The **Delay** indicator and the count down display (select models) will flash until the **START/Cancel** pad is pressed.
4. As soon as the **START/Cancel** pad is pressed, the flashing will stop and the delay time will begin counting down. The Delay indicator will remain lit until the delay time has counted down.

5. The cycle will automatically start as soon as the delay time expires.

Note

- If 30 seconds elapse between setting the cycle and options and pressing the **START/Cancel** pad, the dishwasher will turn off.

To cancel a Delay:

When the delay is counting down, press the **Delay** pad again. The indicator light will go out and the cycle will start or resume immediately.

To cancel a Delay and the cycle:

- Press **START/Cancel** once to drain and turn off the dishwasher.

Or

- Press **START/Cancel** twice to turn dishwasher off without draining.

Lights

LIGHT	DESCRIPTION
ON	Illuminates during all rinse, wash and dry portions of the cycles.



Care and Cleaning

General Recommendations

- The dishwasher interior is normally self-cleaning. Periodically check the bottom of the dishwasher tub to see if any large particles remain.
- Wipe the edge of the inner door liner to remove any food soil splashes which occurred during loading.
- When cleaning stainless steel, always wipe with the grain. **Never** use products containing chlorine bleach or citric acid.

- The color from some tomato-based food soils may occasionally adhere to various components of the dishwasher interior, causing temporary discoloration.

To minimize this:

- Remove excess tomato-based food soils from dishes, before loading.
- Run the Heavy Wash cycle when washing loads containing tomato-based food soils.
- Use a dishwasher detergent that contains chlorine to better fight staining.

LOCATION	SOIL LEVEL	TREATMENT
Standard Exterior	Light to moderate	Soft damp cloth and liquid spray cleaner. Do Not use abrasive powders or cleaning pads.
Stainless Steel Exterior (select models)	Daily cleaning and light soil	Soft cloth or sponge and one of the following: <ul style="list-style-type: none"> • Mild detergent and water • A solution of white vinegar and water • Formula 409 Glass and Surface Cleaner*, or similar multi-surface cleaner. • Do Not use products containing chlorine bleach or citric acid. Follow with rinse and dry.
	Moderate to heavy soil	Soft cloth or damp sponge and Bon Ami*. Follow with rinse and dry.
	Streaks or fingerprints/restore shine	Soft cloth and Stainless Steel Magic Spray**.
	Discoloration	Soft cloth or damp sponge and Cameo Stainless Steel Cleaner*. Rinse immediately and dry.
Interior	Light to moderate	Soft cloth or damp sponge.
	Discoloration, or tomato-based stain	Switch dishwasher detergent to chlorine-based product.

*Brand names are trademarks of the respective manufacturer.

**Call 1-877-232-6771 to order.

Storage/Moving

Fill detergent cup with a fresh-scented dishwasher detergent or baking soda and select the **Normal Wash** cycle. Allow the dishwasher to complete the cycle. Then turn the water supply off and drain the dishwasher. To drain, press the **START/Cancel** pad once to activate the dishwasher. Press **START/Cancel** again to activate

the drain. Operate the drain twice to ensure most of the water is removed. Last, disconnect the electrical supply and prop open the door.

When turning the water supply to the home off, the water shut off at the dishwasher must be turned off also.

Troubleshooting

CHECK THESE POINTS TO HELP SAVE YOU TIME AND MONEY.

PROBLEM	SOLUTION
Dishwasher will not fill	<ul style="list-style-type: none"> • Press the START/Cancel pad to start the dishwasher. • Be sure door is latched securely. • Be sure the water is turned on. • Check that the pad is properly selected for a cycle. • Check your home's circuit breaker or fuse box. • Check inlet hose for a kink. • Check water valve inlet for sediment and clean if necessary.
Dishwasher will not drain/ water in tub bottom	<ul style="list-style-type: none"> • If hooked up to a food waste disposer, be sure the knock-out is removed from the disposer inlet. • Check for food obstruction in the drain or disposer. • Check drain hose for a kink. • Check your home's circuit breaker or fuse box. • Check that the cycle is completed.
Dishwasher adds water at end of cycle	<ul style="list-style-type: none"> • This is normal. The sensor (select models) in the pump must stay submerged so a short fill of water is added after the cycle's last drain.
Detergent cup is not empty	<ul style="list-style-type: none"> • Check that the cycle is completed. • Be sure dispenser is not blocked. • Use fresh detergent stored in a cool, dry place.
Dishwasher seems noisy	<ul style="list-style-type: none"> • A water valve hiss during fill is normal. • Water circulation sounds are normal. • A thumping sound may be a wash arm bumping an item that is extending beyond the racks. Readjust load to avoid obstructing wash arm. • Chopping or grinding sounds may be heard as the internal chopper blade chops hard items like fruit seeds, nuts, etc. • Humming during the drain is normal. • A snap noise is the detergent cup lid hitting the door liner when the dishwasher door is opened at the end of the cycle. This is normal. • Proper installation affects the noise level.
Cycle takes too long	<ul style="list-style-type: none"> • Hi Temp Wash has been selected and the cycle is extended to heat water. • Check to see that the incoming water temperature is 120° F (49° C).
Dishwasher has an odor	<ul style="list-style-type: none"> • Run dishes being held in the dishwasher through a Rinse Only cycle (select models). • Many dishwashers have a "new" smell when first installed. This will dissipate with use. • Dishwasher may not be draining properly. (See "Dishwasher Will Not Drain" section.) • For a strong odor, place baking soda in both sides of the detergent cup. Select Light/Quick Wash cycle and allow the water to circulate for about 10 minutes. Interrupt the cycle by unlatching the door and let it stand overnight. Restart the dishwasher by latching the door and allow it to complete the cycle. Another alternative is to use a dishwasher cleaning product such as Jet-Dry Dishwasher Cleaner*.
Dishwasher leaks	<ul style="list-style-type: none"> • Check that the dishwasher is level. (Refer to the Installation Instructions.) • Suds can cause the dishwasher to overflow. Measure the detergent carefully and use only detergents designed for use in a dishwasher. Less detergent is needed in soft water. Try another brand of detergent if sudsing continues. • Follow directions closely on how to add a forgotten item (pg. 3). • To avoid rinse aid leaking from the dispenser, be sure the lid is securely attached.

*Brand names are trademarks of the respective manufacturer.



Troubleshooting

PROBLEM	SOLUTION
Indicator lights flashing	<ul style="list-style-type: none"> • The countdown display (select models) flashes after a cycle is selected until the START/Cancel pad is pressed. • The countdown display (select models) and the delay indicator flash after a delay is selected until the START/Cancel pad is pressed. • All active display indicators flash if the door is opened during a running cycle or delay. • The currently selected cycle flashes if an attempt is made to change the cycle after cycle “lock-in”.
Glasses are cloudy/ spotted	<ul style="list-style-type: none"> • Select Hi Temp Wash option. • Check water temperature. Incoming water should be 120° F (49° C). • Always use a rinse aid. • Confirm that the cloudiness is removable by soaking the item in white vinegar for approximately 5 minutes. If removed, the problem is due to hard water. Adjust detergent amount being used to match water hardness (pg. 5). Be sure detergent is fresh, stored properly and is a high quality brand. • If cloudiness is not removable, it is etching. This is an erosion of the surface of the glassware and can be caused by water that is too hot, from using too much detergent or by prewashing. Detergent needs food soil to act upon. If etching has occurred, the glassware is permanently damaged. To prevent further etching, adjust the detergent amount to match the water hardness, stop prewashing, and use water heating options only when incoming water temperature is below 120° F (49° C).
Food soil remains on dishes	<ul style="list-style-type: none"> • Check water temperature. Incoming water should be 120° F (49° C). • Run hot water at the sink before starting the dishwasher. • Check water hardness and adjust detergent amount accordingly (pg. 5). • Use fresh detergent stored in a cool dry place. • Select proper cycle for the soil level and Hi Temp Wash (select models) (pg. 6). • Make sure the upper rack wash arm connector is correctly aligned in one of the water inlet holes (pg. 4). • Load items so they do not block the wash arms (pg. 4). • Load the utensil basket with knife handles up and spoon and fork handles down. • Do not place glasses over tines. • Before loading, scrape off burnt on foods and wipe the starchy film from utensils used with pasta, rice and oatmeal. These soils require more energy than the rest of the load to clean.
Items washed in the dishwasher or the dishwasher tub itself are stained/ discolored	<ul style="list-style-type: none"> • Aluminum utensils or pans can leave marks when they rub against other items. Leave a slight space between items. • Iron deposits in the water can leave a yellow, brown or orange film on dishes or the dishwasher tub. A rust filter may be needed. Check with a water treatment company. • Separate silver or silver-plated silverware from stainless steel. These metals can be damaged by contact with each other during washing. • Color from tomato sauces may adhere to the interior parts of the dishwasher (pg. 8). If light staining has occurred, leave the door open to oxidize the stain away. Use a dishwasher detergent that contains chlorine to better fight staining. • Certain dishwasher detergents may stain silver. Try another brand of detergent.
Items not properly dried/moisture is present on the dishwasher interior after the dry cycle	<ul style="list-style-type: none"> • Be sure Heated Dry is selected. • Water droplets may form on the inner door as part of the drying process. • Use a rinse aid separate from the detergent like Jet Dry* or Cascade Rinse Aid* regularly, to improve drying. Turn the rinse aid selector toward the MAX setting. • Check water temperature. Incoming water should be 120° F (49° C). • Select Hi Temp Wash option. • Increase detergent amount to match water hardness (pg. 5). • Load properly. (pg. 4) • Plastic and items with non-stick surfaces are difficult to dry because they have a porous surface which tends to collect water droplets. Towel drying may be necessary. • Glasses and cups with concave bottoms hold water and require towel drying. Locate these items on the more slanted side of the rack for improved results.
Dishware is chipped	<ul style="list-style-type: none"> • Load dishes according to instructions so they do not strike each other (pg. 4). • Washing fine antique china/crystal in the dishwasher is not recommended. • Do not load glasses over the tines. • Do not overload.

*Brand names are trademarks of the respective manufacturer.



Warranty and Service

Warranty

Limited One Year Warranty - Parts and Labor

For **one (1) year** from the original retail purchase date, any part which fails in normal home use will be repaired or replaced free of charge.

Canadian Residents

The above warranties only cover an appliance installed in Canada that has been certified or listed by appropriate test agencies for a compliance to a National Standard of Canada unless the appliance was brought into Canada due to transfer of residence from the United States to Canada.

*The specific warranties expressed above are the **ONLY** warranties provided by the manufacturer. These warranties give you specific legal rights, and you may also have other rights which vary from state to state.*

CUSTOMER'S SOLE AND EXCLUSIVE REMEDY UNDER THIS LIMITED WARRANTY SHALL BE PRODUCT REPAIR AS PROVIDED HEREIN. IMPLIED WARRANTIES, INCLUDING WARRANTIES OF MERCHANTABILITY OR FITNESS FOR A PARTICULAR PURPOSE, ARE LIMITED TO ONE YEAR OR THE SHORTEST PERIOD ALLOWED BY LAW. MAYTAG CORPORATION SHALL NOT BE LIABLE FOR INCIDENTAL OR CONSEQUENTIAL DAMAGES. SOME STATES AND PROVINCES DO NOT ALLOW THE EXCLUSION OR LIMITATION OF INCIDENTAL OR CONSEQUENTIAL DAMAGES, OR LIMITATIONS ON THE DURATION OF IMPLIED WARRANTIES OF MERCHANTABILITY OR FITNESS, SO THESE EXCLUSIONS OR LIMITATIONS MAY NOT APPLY TO YOU. THIS WARRANTY GIVES YOU SPECIFIC LEGAL RIGHTS AND YOU MAY ALSO HAVE OTHER RIGHTS, WHICH VARY STATE TO STATE OR PROVINCE TO PROVINCE.

What is Not Covered By These Warranties

1. Conditions and damages resulting from any of the following:
 - a. Improper installation, delivery, or maintenance.
 - b. Any repair, modification, alteration, or adjustment not authorized by the manufacturer or an authorized servicer.
 - c. Misuse, abuse, accidents, unreasonable use, or acts of God.
 - d. Incorrect electric current, voltage, electrical and/or gas supply.
 - e. Improper setting of any control.
2. Warranties are void if the original serial numbers have been removed, altered, or cannot be readily determined.
3. Light bulbs, water filters and air filters.
4. Products purchased for commercial or industrial use.
5. The cost of service or service call to:
 - a. Correct installation errors. For products requiring ventilation, rigid metal ducting must be used.
 - b. Instruct the user on the proper use of the product.
 - c. Transport the appliance to and from the servicer.
6. Any food loss due to refrigerator or freezer product failures.
7. Expenses for travel and transportation for product service in remote locations.
8. Outside of the United States and Canada this warranty does not apply. Contact your dealer to determine if another warranty applies.
9. Consequential or incidental damages sustained by any person as a result of any breach of these warranties. Some states do not allow the exclusion or limitation of consequential or incidental damages, so the above exclusion may not apply.

If You Need Service

First see the Troubleshooting section in your Use and Care Guide or call the dealer from whom your appliance was purchased or call Maytag Services, LLC, Customer Assistance at 1-800-688-9900 USA and 1-800-688-2002 Canada to locate an authorized servicer.

- Be sure to retain proof of purchase to verify warranty status. Refer to WARRANTY for further information on owner's responsibilities for warranty service.
- If the dealer or service company cannot resolve the problem, write to Maytag Services, LLC, Attn: CAIR® Center, P.O. Box 2370, Cleveland, TN 37320-2370, or call **1-800-688-9900 USA and 1-800-688-2002 Canada**. U.S. customers using TTY for deaf, hearing impaired or speech impaired, call 1-800-688-2080.
- User's guides, service manuals and parts information are available from Maytag Services, LLC, Customer Assistance.

Notes: When writing or calling about a service problem, please include:

- a. Your name, address and telephone number;
- b. Model number and serial number;
- c. Name and address of your dealer or servicer;
- d. A clear description of the problem you are having;
- e. Proof of purchase (sales receipt).

Lave-vaisselle

Guide d'utilisation et d'entretien



Table des matières

	Sécurité	13
	Articles lavables ou non en lave-vaisselle	14
	Conseils d'utilisation	15
	Chargement	16
	Utilisation du lave-vaisselle	17
	Cycles, options et témoins lumineux	18-19
	Entretien et nettoyage	20
	Dépannage	21-22
	Garantie et service	23
	Guía de Uso y Cuidado	24

Installateur : Veuillez laisser ce guide avec cet appareil.

Consommateur : Veuillez lire et garder ce guide pour consultation ultérieure. Conservez le reçu ou le chèque encaissé comme preuve de l'achat.

Numéro de modèle _____

Numéro de série _____

Date d'achat _____

Pour des questions, appelez :

1-800-688-2002 aux É.-U. et Canada

(Lundi au vendredi, 8 h à 20 h, heure de l'Est)

Dans le cadre de nos pratiques d'amélioration constante de la qualité et de la performance de nos appareils, des modifications peuvent être introduites sur les appareils sans que cela donne lieu à une révision de ce guide.

Pour l'information sur le service, voir page 23.



Sécurité

Ce que vous devez savoir sur les instructions de sécurité

Les instructions de sécurité importantes et les avertissements paraissant dans ce guide ne sont pas destinés à couvrir toutes les situations et conditions éventuelles qui peuvent se présenter. Il faut faire preuve de bon sens et de prudence lors de l'installation, de l'entretien ou de l'utilisation de l'appareil.

Prenez toujours contact avec votre fabricant, au sujet de problèmes ou conditions que vous ne comprenez pas.

Reconnaissez les étiquettes, phrases ou symboles sur la sécurité

AVERTISSEMENT

AVERTISSEMENT – risques ou pratiques non sûres, qui **POURRAIENT** résulter en de graves blessures ou même la mort.


ATTENTION

ATTENTION – risques ou pratiques non sûres, qui **POURRAIENT** résulter en blessure mineure ou d'endommager le produit.

Instructions de sécurité importantes

AVERTISSEMENT

Vérifier avec l'installateur pour s'assurer que l'appareil a été correctement mis à la terre pour éviter tout choc électrique. S'assurer de lire les instructions de sécurité personnelles importantes avant d'utiliser ce lave-vaisselle.

Les produits portant une étiquette  ont été homologués par Underwriter's Laboratories, Inc. – ceux portant une étiquette CSA ont été homologués par la Canadian Standards Association (CSA). Néanmoins, comme pour tout autre équipement utilisant l'électricité et des pièces mobiles, il y a un danger potentiel.

AVERTISSEMENT

Lors de l'utilisation du lave-vaisselle, suivre ces précautions de base :

1. Lire la totalité des instructions avant d'utiliser le lave-vaisselle.
2. Utiliser le lave-vaisselle uniquement pour les applications.
3. Débrancher le lave-vaisselle avant tout entretien.
4. Pour éviter tout risque de choc électrique, les côtés et l'arrière doivent être fermés et le panneau avant doit être fixé avant de brancher le lave-vaisselle. Se reporter aux instructions d'installation pour les méthodes correctes de mise à la terre.
5. Brancher le lave-vaisselle à un circuit électrique correctement protégé, d'une puissance nominale appropriée et avec fils de calibre adéquat.
6. Il ne faut jamais laisser les enfants utiliser ou jouer dans, avec ou autour du lave-vaisselle.
7. Pour réduire le risque de blessure lors du chargement du lave-vaisselle, il faut placer les articles pointus ou aiguisés avec le manche vers le dessus. De même, loger les articles pointus pour qu'ils n'endommagent pas le joint de la porte.
8. Ne pas toucher à l'élément chauffant au bas de la cuve durant ou à la fin d'un cycle car il est chaud.
9. N'utiliser que des détergents et des agents de rinçage conçus pour un lave-vaisselle résidentiel automatique. Ne jamais utiliser de savon, de détergent lessiviel ou de détergent de lavage à la main dans votre lave-vaisselle. Garder ces produits hors de portée des enfants.
10. Ne pas s'asseoir, se mettre debout ou maltraiter la porte ou les paniers du lave-vaisselle.
11. Sous certaines conditions, de l'hydrogène peut se former dans un système d'eau chaude qui n'a pas été utilisé pendant deux semaines ou plus. **L'hydrogène est un gaz explosif.** Si le système d'eau chaude n'a pas été utilisé pendant une telle période, ouvrir tous les robinets d'eau chaude et laisser couler l'eau pendant plusieurs minutes. Ceci diminuera l'accumulation d'hydrogène. Comme il s'agit d'un gaz inflammable, ne pas fumer ou utiliser de flamme vive durant cette opération.
12. Ne pas laver d'articles en plastique ne portant pas l'indication « lavable en lave-vaisselle ». Pour des articles en plastique sans indication, vérifier les recommandations du fabricant.
13. Ne pas circonvier les commandes.
14. Pour éviter tout risque d'enfermement et/ou de suffocation accidentelle d'un enfant, toujours enlever la porte du compartiment de lavage lorsque l'on enlève un ancien lave-vaisselle ou qu'on le jette.
15. Faire preuve de prudence en déchargeant le lave-vaisselle. La vaisselle peut être chaude si elle est déchargée peu de temps après la fin d'un cycle.
16. Les lave-vaisselle à usage résidentiel certifié ne sont pas conçus pour les établissements alimentaires homologués.
17. Pour éviter que l'eau ou la moisissure ne détériore votre habitation, vérifiez régulièrement les raccordements d'arrivée d'eau et les tuyaux d'évacuation pour d'éventuelles fuites.

Conserver ces instructions



Articles lavables ou non en lave-vaisselle

La plupart des articles de table et de cuisson ainsi que les couverts peuvent être lavés en sécurité dans le lave-vaisselle. Vérifier avec le fabricant.

MATÉRIAU	SONT-ILS LAVABLES EN LAVE-VAISSELLE?	RENSEIGNEMENTS UTILES
Aluminium	Oui, sauf l'aluminium anodisé.	De hautes températures et les détergents peuvent attaquer la finition.
Fonte	Non	L'apprêt serait enlevé et le fer rouillerait.
Porcelaine/Grès	Oui, sauf les pièces d'antiquité ou peintes à la main.	Toujours vérifier les recommandations du fabricant avant le lavage. Les porcelaines fines, les motifs peints à la main ou sur le vernis peuvent s'estomper. Les feuilles d'or peuvent se décolorer.
Cristal	Oui, sauf les pièces d'antiquité et le cristal délicat.	Toujours vérifier les recommandations du fabricant avant le lavage. Certains types de cristal au plomb peuvent se corroder après des lavages répétés.
Filtres	Non recommandés.	Peuvent laisser un dépôt crasseux ou des taches à l'intérieur du lave-vaisselle.
Verre	Oui	Un verre spécial appelé « verre laiteux » peut jaunir par suite de lavages répétés au lave-vaisselle.
Couverts plaqués or	Non	Se décolorent.
Étain, fer blanc	Non	
Plastiques	Oui, sur panier supérieur sauf les articles en plastique à jeter.	Toujours vérifier les recommandations du fabricant avant le lavage. La capacité des plastiques à résister aux hautes températures et aux détergents peut varier. Les articles en plastique jetable ne sont pas lavables en lave-vaisselle.
Acier inoxydable	Oui	Si ces articles ne sont pas lavés immédiatement, lancer un cycle Rinse Only (Rinçage seulement) (certains modèles). Le contact prolongé avec la nourriture contenant du sel, du vinaigre, des produits laitiers ou du jus peut endommager la finition.
Argenterie ou argent sterling	Non, s'il a subi un traitement de « noircissement ».	Toujours vérifier les recommandations du fabricant avant le lavage. Si ces articles ne sont pas lavés immédiatement, lancer un cycle Rinse Only (certains modèles). Le contact prolongé avec la nourriture contenant du sel, de l'acide ou des sulfures (oeufs, mayonnaise ou fruits de mer) peut endommager la finition. Le « noircissement » commercial peut être enlevé par le détergent.
Articles en bois	Non	Le bois peut se déformer, se fissurer ou se décolorer.



Conseils d'utilisation

Avant de commencer

- **Ne pas préincer. Il suffit de jeter os et gros morceaux de nourriture.**
- Si le lave-vaisselle est raccordé à un broyeur à déchets, **veiller à ce que celui-ci soit vide avant de mettre le lave-vaisselle en marche.**
- **Gratter les taches tenaces laissées par les aliments à base de tomate** (voir page 20).
- **Éliminer certains aliments** (tels que moutarde, mayonnaise, jus de citron, vinaigre, sel et vinaigrettes) **des articles en acier inoxydable aussi rapidement que possible.** Ces aliments peuvent provoquer de la rouille et du piquage s'ils restent en contact prolongé avec la surface.

Utilisation du lave-vaisselle

1. Après avoir chargé le lave-vaisselle et ajouté du détergent, choisir le cycle désiré en appuyant sur la touche correspondante, jusqu'à ce que le témoin lumineux à côté du cycle désiré, s'allume. Choisir les options désirées en appuyant sur les touches. Les voyants de signalisation pour le cycle choisi et les options lumineux. Pour annuler une option appuie le coussin encore.
2. Pour démarrer un cycle, fermer la porte jusqu'à ce qu'elle se verrouille, puis appuyer une fois sur la touche **START/Cancel (MISE EN MARCHÉ/Annulation)**. À la suite d'une pause, le remplissage commence. Le décompte de l'afficheur (certains modèles) clignote jusqu'à ce que l'on appuie sur **START/Cancel**.

Remarque

- Si l'on n'appuie pas sur la touche **START/Cancel** dans les 30 secondes suivant la sélection du cycle, le lave-vaisselle s'arrête.

Le lave-vaisselle se souvient du dernier cycle choisi. Il n'est donc pas nécessaire de reprogrammer le cycle à chaque fois. Pour mettre en marche le lave-vaisselle avec le même cycle et les mêmes options que ceux choisis lors du lavage précédent, il suffit d'appuyer sur la touche **START/Cancel**.

3. Pour annuler un cycle en cours de fonctionnement, appuyer une fois sur la touche **START/Cancel**. Le lave-vaisselle procède à une vidange puis s'arrête. Pour arrêter le lave-vaisselle sans qu'il ne commence une vidange, appuyer deux fois sur la touche **START/Cancel**. Pour empêcher des changements non prévus de cycle ou d'option, il n'est plus possible de changer ces sélections après 1 minute.

Remarque

- Si l'on appuie sur la touche de cycle select après le « verrouillage » des commandes, le témoin lumineux situé à côté du cycle sélectionné clignote trois fois.

Ajout d'un article oublié

Pour de meilleurs résultats de nettoyage, l'article oublié devra être ajouté au début du cycle.

1. Saisir la poignée de porte et déverrouiller la porte sans l'ouvrir complètement. Tous les témoins lumineux clignotent pour indiquer que le cycle est interrompu.
2. Attendre l'arrêt de la circulation d'eau.
3. Ouvrir la porte et ajouter l'article.
4. Fermer la porte et la verrouiller. Les témoins lumineux cessent de clignoter lorsque la porte est correctement fermée. Après un court instant, le cycle reprend automatiquement au point où il s'est arrêté.

Remarques

- Si la porte est ouverte pendant le fonctionnement d'un cycle, il peut y avoir jusqu'à 30 secondes d'attente avant que l'appareil ne se remette en marche une fois la porte fermée.
- Il n'est pas recommandé d'interrompre le cycle de lavage pendant une période prolongée.



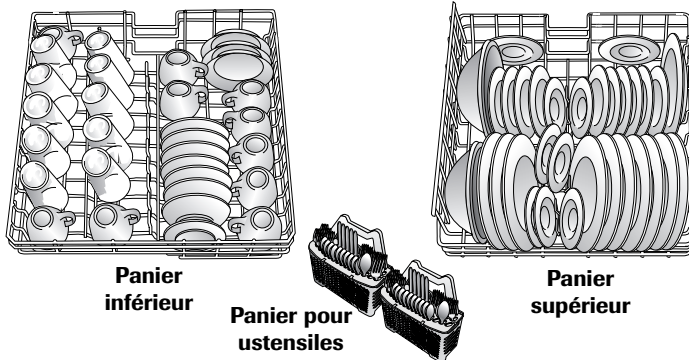
Chargement

Recommandations d'ordre général (Les caractéristiques des paniers varient selon le modèle)

- Les articles peuvent être centrés derrière une tige de retenue ou chargés en biais pour tirer le meilleur parti possible de l'espace.
- Éviter de bloquer les bras gicleurs. Ne rien laisser dépasser des paniers.
- Tourner les surfaces souillées vers le centre du lave-vaisselle.

Pour obtenir les meilleurs résultats de lavage, observer les directives suivantes pour déterminer la disposition qui convient le mieux aux articles à laver.

10 Couverts (Les caractéristiques des paniers varient selon le modèle)



Panier supérieur

Il peut recevoir verres, tasses, articles en plastique léger, assiettes, bols, casseroles, ustensiles à long manche, etc. **Ne pas placer les verres sur les tiges de retenue.**

Panier inférieur

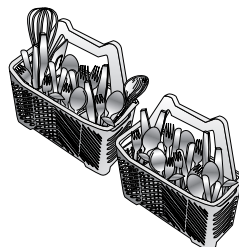
Il peut recevoir une variété d'articles, des assiettes à dîner, des bols mélangeurs, des casseroles et des plats.

Des articles plus larges peuvent être placés le long du côté gauche et à l'arrière de ce panier.

Panier pour ustensiles

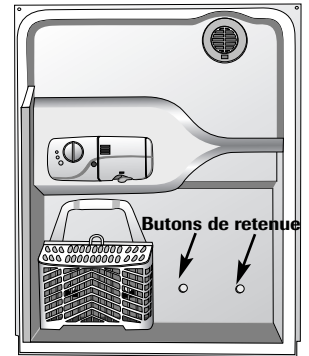
Paniers de porte amovibles pour ustensiles

Pour de meilleurs résultats de lavage, évitez de laisser les divers éléments se coller les uns aux autres dans le panier. Placez certains d'entre eux manches vers le haut et les autres manches vers le bas. Mettez les couteaux manches vers le haut, puis cuillères et fourchettes manches vers le bas.



Pour retirer le(s) panier(s) de la porte :

1. Attrapez le panier pour ustensiles par la poignée. Faites-le glisser vers le haut de la porte.
2. Dégagez le panier des boutons de retenue en le soulevant.



Pour remplacer le(s) panier(s) de la porte :

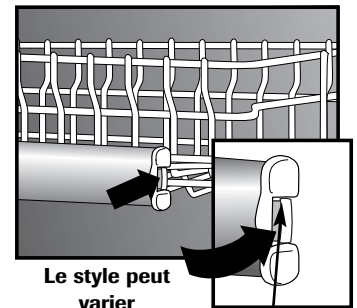
1. Alignez les fentes du dos du panier avec les boutons de la porte.
2. Placez le panier pour ustensiles sur les boutons de retenue.
3. Faites glisser le panier vers le bas de la porte jusqu'à ce qu'il soit bloqué.

Desmontage de la rejilla superior

Le panier peut être enlevé pour placer des articles hauts ou surdimensionnés dans le panier inférieur. Décharger d'abord le panier avant de l'enlever.

Retirer un panier muni de butées avec languette de sûreté :

1. Tirez le panier vers vous du 1/3 à 1/2.
2. Repérez les butées au bout de chaque guide. Appuyez sur les languettes de sûreté situées au centre des butées et retirez les butées complètement et tout droit. Assurez-vous de soutenir le panier au moment de retirer les butées.



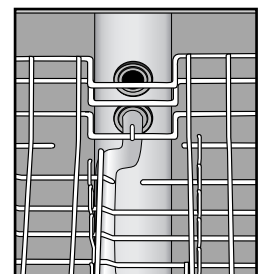
3. Remettez le panier complètement et sortez-le du lave-vaisselle.

Réinstallation :

1. Remettez le panier du lave-vaisselle en faisant glisser les roulettes dans les guides.
2. Insérez chacune des butées au bout des guides de façon à ce qu'elles pénètrent dans les petits trous situés sur les côtés des guides.

Importante :

L'appareil ne fonctionne pas correctement si le raccord du bras de lavage du panier n'est pas aligné avec l'un des orifices d'arrivée d'eau à l'arrière.





Utilisation du lave-vaisselle

Eau chaude

Pour des résultats de nettoyage et de séchage optimaux, l'eau chaude est nécessaire. La température de l'eau d'arrivée doit se trouver entre 49 °C (120 °F) pour activer correctement le détergent et faire fondre la saleté et la graisse.

Pour vérifier la température de l'eau à son arrivée, ouvrir le robinet d'eau chaude le plus proche du lave-vaisselle et faire couler l'eau dans un verre placé dans l'évier. Placer un thermomètre à confiserie dans le verre et vérifier la température une fois qu'elle s'est stabilisée.

Détergent

Utiliser un détergent conçu spécifiquement pour être utilisé dans un lave-vaisselle automatique. S'assurer qu'il n'est pas périmé et s'il est en poudre, le ranger dans un endroit sec et frais (pas sous l'évier).

Quantité recommandée

Une trop faible quantité de détergent entraînerait de faibles résultats de lavage, un dépôt et l'apparition de taches dus à l'eau dure et un séchage inefficace. Une trop grande quantité de détergent peut causer un piquage et un aspect terne permanent.

La mousse peut faire déborder le lave-vaisselle. Dosez soigneusement le détergent et n'utilisez que des produits spécialement conçus pour le lave-vaisselle. La quantité de détergent doit être réduite en présence d'eau douce. Essayez une autre marque de détergent si la quantité de mousse reste excessive.

La quantité de détergent à utiliser est déterminée par la dureté de l'eau et le niveau de saleté de la vaisselle. Se référer au tableau ci-dessous pour connaître les recommandations d'utilisation du détergent.

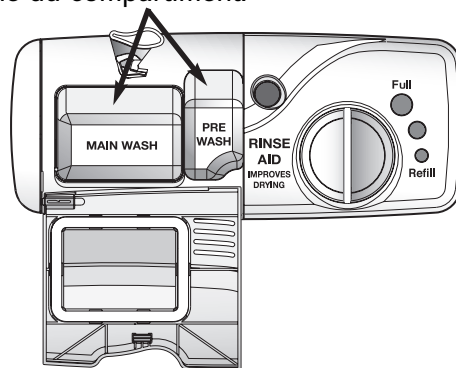
DURETÉ DE L'EAU*	NIVEAU DE SALETÉ	PRÉLAVAGE DÉTERGENT	LAVAGE PRINCIPAL DÉTERGENT
Douce (0-4 gpg)	Léger Normal Intense	2 cuillères à thé 4 cuillères à thé 4 cuillères à thé	6 cuillères à thé 6 cuillères à thé 7 cuillères à thé
Moyenne (5-9 gpg)	Léger Normal Intense	4 cuillères à thé 4 cuillères à thé 5 cuillères à thé	6 cuillères à thé 6 cuillères à thé 7 cuillères à thé
Dure (10-12 gpg)	Tous les Niveaux	5 cuillères à thé	8 cuillères à thé

*Votre station locale d'approvisionnement en eau ou tout autre service compétent de votre province, peut vous donner le degré de dureté de l'eau dans votre région.

En cas d'eau extrêmement dure (13 grains par gallon ou plus*), il est difficile d'atteindre de bons résultats avec n'importe quel lave-vaisselle. Un adoucisseur d'eau mécanique peut être

nécessaire pour améliorer la qualité de l'eau et l'efficacité du détergent et protéger les pièces du lave-vaisselle contre les dommages provoqués par l'eau dure.

Ajouter la quantité recommandée de détergent dans chaque tasse comme il est illustré et fermer le couvercle du compartiment.



Ne pas utiliser de détergent avec le cycle Rinse Only (Rinçage seulement) (certains modèles). Laisser le couvercle du distributeur de détergent ouvert lors du cycle Rinse Only (certains modèles).

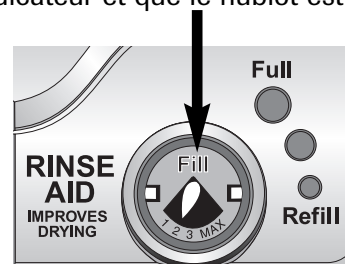
Agent de rinçage

L'utilisation régulière d'un agent de rinçage améliore le séchage, réduit les taches et les dépôts de film ainsi que l'humidité à l'intérieur du lave-vaisselle.

Un distributeur automatique d'agent de rinçage se trouve à côté du godet de détergent.

Le hublot à côté du capuchon du distributeur indique quand il est nécessaire de remplir le réservoir d'agent de rinçage. Lorsque le niveau d'agent de rinçage se trouve en dessous de l'indicateur et que le hublot est presque transparent, il est temps de remplir le distributeur. **Vérifier le distributeur tous les mois.**

Pour ajouter de l'agent de rinçage dans le distributeur, tourner le capuchon vers la gauche pour l'ouvrir. Enlever le capuchon et verser l'agent de rinçage dans l'ouverture. La quantité d'agent de rinçage distribuée au cours du cycle peut être réglée en déplaçant le levier à l'intérieur de la zone du réservoir. La plupart du temps, utiliser le réglage « 2 », recommandé par le fabricant. Régler à la position « MAX » pour une eau dure. Placer le levier n'importe où entre ces deux repères pour obtenir les meilleurs résultats. Remettre le capuchon et le tourner vers la droite pour le fermer.





Cycles, options et témoins lumineux

Cycles

Choisir le cycle qui convient le mieux à la vaisselle en appuyant sur la touche cycle select. (Voir page 15, **Conseils d'utilisation**, pour la manière de débiter le cycle.)

CYCLE	DESCRIPTION	DURÉE (MIN. APPROX.)	NOMBRE DE LAVAGES/RINÇAGES
Heavy Wash (Lavage intense)	Cycle long pour vaisselle très sale.	132*	2 lavages/3 rinçages
Normal Wash (Lavage normal)	Cycle moyen pour vaisselle normalement sale. Le capteur de turbidité est actif avec ce cycle.	97-117*	1-2 lavages**/1-2 rinçages**
Light/Quick Wash (Lavage léger/rapido)	Cycle court pour vaisselle peu sale.	82*	1 lavages/2 rinçages
Rinse Only (Rinçage seulement) (certains modèles)	Rince la vaisselle en attente de prochaines charges.	9	1 rinçage

* Comprend une durée de séchage d'environ 30 minutes.

** Le nombre de remplissages varie selon le degré de saleté de chaque charge.

Remarque

- Selon la température de l'eau, il pourra y avoir une augmentation de la durée du cycle pour amener l'eau à la température souhaitée.

Options

En plus de choisir un cycle, choisir, parmi les options suivantes disponibles, **toutes celles qui seront nécessaires** selon la charge en cours.

OPTION	DESCRIPTION	À UTILISER AVEC LES CYCLES
Hi Temp Wash	La fonction Hi Temp Wash fait en sorte que l'eau soit plus chaude au cours du cycle de lavage. La fonction High Temp assure une température idéale pour des lavages et des séchages optimaux.	Tous les cycles (sauf Rinse Only [certains modèles])
Heated Dry (Séchage avec chaleur)	Pour de meilleurs résultats de séchage, sélectionner cette option. Lorsque Heated Dry (Séchage avec chaleur) n'est pas choisi, il peut être nécessaire de sécher à la main certains articles comme ceux en plastique et ceux avec surface non adhérente. Plus d'humidité peut aussi rester sur l'intérieur du lave-vaisselle. Dans les modèles avec intérieur en plastique, il est normal que de la vapeur s'échappe de l'évent de la porte pendant que la chaleur sèche la vaisselle. De la vapeur s'échappera même si l'option Heated Dry n'est pas sélectionnée.	Tous les cycles (sauf Rinse Only) (certains modèles)
Delay (Démarrage différé)	L'option peut être utilisée pour mettre le cycle automatiquement en marche, plus tard. Voir les instructions au-dessous.	Tous les cycles

ATTENTION

ATTENTION – Dans les modèles avec intérieur en plastique, il est normal de remarquer que de la vapeur s'échappe de l'évent de la porte dans le coin supérieur gauche de la porte alors que la chaleur sèche la vaisselle. La vapeur est chaude et peut causer des brûlures mineures.



Cycles, options et témoins lumineux

Delay (Démarrage différé)

L'option **Delay** peut être utilisée pour mettre le cycle automatiquement en marche, plus tard, pour réduire l'accumulation de chaleur pendant la journée dans la maison, ou pour bénéficier de coûts énergétiques réduits, si ceci est disponible dans la région. Cette option est aussi utile pour conserver l'eau chaude, à des périodes d'utilisation domestique élevée (douches, lessive).

Réglage d'un démarrage Différé :

1. Sélectionner le cycle et les options appropriées pour la charge. Fermer la porte.
2. Appuyer sur la touche **Delay** et sélectionner la durée d'attente souhaitée.
3. Le témoin lumineux **Delay** et l'affichage du compte à rebours (certains modèles) clignoteront jusqu'à ce que l'on appuie sur la touche **START/Cancel (MISE EN MARCHÉ/ Annulation)**.
4. Une fois que l'on a appuyé sur la touche **START/Cancel**, le témoin lumineux s'arrête de clignoter et le compte à rebours commence. Le témoin lumineux Delay restera allumé jusqu'à la fin du compte à rebours.

5. Le cycle commencera automatiquement à l'expiration du délai d'attente.

Remarque

- Si trente secondes s'écoulent entre un réglage du cycle et des options et une pression sur la touche **START/Cancel**, le lave-vaisselle se mettra à l'arrêt.

Annulation d'un démarrage différé :

Lors du compte à rebours, appuyer sur la touche **Delay** de nouveau. Le témoin lumineux s'éteindra et le cycle commencera ou reprendra immédiatement.

Annulation d'un démarrage différé et d'un cycle :

- Appuyer une fois sur la touche **START/Cancel** pour évacuer l'eau et arrêter le lave-vaisselle.

Ou

- Appuyer deux fois sur la touche **START/Cancel** pour arrêter le lave-vaisselle sans évacuer l'eau.

Témoins lumineux

TÉMOIN LUMINEUX	DESCRIPTION
ON (SUR)	S'allume durant toutes les portions de lavage, de rinçage et de séchage du cycles.



Entretien et nettoyage

Recommandations d'ordre général

- L'intérieur du lave-vaisselle est normalement autonettoyant. Vérifier périodiquement le fond de la cuve du lave-vaisselle pour voir si des résidus importants ne sont pas passés à travers le filtre.
- Nettoyer le bord de la doublure intérieure de la porte pour enlever toutes les éclaboussures de nourriture qui se seraient produites au cours du chargement.
- Toujours nettoyer dans le sens de la texture de l'acier inoxydable. **Ne pas** utiliser de produits contenant du javellisant ou de l'acide citrique.
- La couleur de certains aliments à base de tomate peut parfois adhérer à certains composants à l'intérieur du lave-vaisselle et provoquer une décoloration temporaire.

Pour réduire cet effet :

- Enlever l'excès d'aliments à base de tomate, de la vaisselle, avant de la mettre au lave-vaisselle.
- Utiliser le cycle Heavy Wash (Lavage intense) pour de la vaisselle contenant des aliments à base de tomate.
- S'assurer d'utiliser un détergent pour lave-vaisselle qui contient du chlore pour un meilleur détachage.

EMPLACEMENT	NIVEAU DE SALETÉ	TRAITEMENT
Extérieur standard	Légère à modérée	Linge souple et humide et produit de nettoyage liquide à pulvériser. Ne pas utiliser de poudres abrasives ou de tampons de nettoyage.
Extérieur en acier inoxydable (certains modèles)	Lavage quotidien et saleté légère	Linge souple ou éponge et un des produits suivants : <ul style="list-style-type: none"> • Détergent doux et eau • Solution de vinaigre blanc et d'eau • Produit de nettoyage pour verre et surface formule 409* ou produit semblable multi-surfaces. • Ne pas utiliser de produits contenant du javellisant ou de l'acide citrique. Faire suivre par un rinçage et un séchage.
	Modérée à importante	Linge souple ou éponge humidifiée et Bon Ami*. Faire suivre par un rinçage et un séchage.
	Traces de doigt ou marques / brillant à restaurer	Linge souple et produit à pulvériser Stainless Steel Magic**.
	Décoloration	Linge souple ou éponge humidifiée et produit de nettoyage Cameo Stainless Steel Cleaner*. Rincer immédiatement et sécher.
Intérieur	Légère à modérée	Linge souple ou éponge humide.
	Décoloration ou taches à base de tomate	Passer du détergent pour lave-vaisselle à un produit à base de chlore.

*Les noms de marque sont les marques de commerce des fabricants respectifs.

**Composer le 1-800-688-8408 pour une commande.

Rangement/déplacement

Remplir le godet de détergent avec un détergent rafraîchissant pour lave-vaisselle ou du bicarbonate de soude et sélectionner le cycle **Normal Wash (Lavage normal)**. Attendre la fin du cycle du lave-vaisselle. Fermer ensuite l'arrivée d'eau et laisser le lave-vaisselle évacuer l'eau. Pour vidanger : appuyer sur la touche **START/Cancel (MISE EN MARCHÉ/Annulation)** une fois, pour mettre en marche le lave-vaisselle. Appuyer sur cette touche de nouveau pour mettre en marche

l'évacuation. Répéter deux fois l'opération d'évacuation pour s'assurer que la plus grande partie de l'eau a été évacuée. Enfin, débrancher le lave-vaisselle et ouvrir la porte.

Lorsque l'on coupe l'alimentation en eau de la maison, il faut également couper l'alimentation en eau du lave-vaisselle.

VÉRIFIER LES POINTS SUIVANTS POUR ÉCONOMISER TEMPS ET ARGENT.

PROBLÈME	SOLUTION
Le lave-vaisselle ne se remplit pas	<ul style="list-style-type: none"> Appuyer sur START/Cancel (MISE EN MARCHÉ/Annulation) pour mettre le lave-vaisselle en marche. S'assurer que la porte est correctement fermée. S'assurer que le robinet d'eau est ouvert. Vérifier que la touche est correctement sélectionnée pour un cycle. Vérifier les fusibles ou disjoncteurs de l'habitation. Vérifier que le tuyau d'arrivée d'eau n'est pas entortillé. Vérifier qu'il n'y a pas de dépôt à la soupape d'arrivée d'eau et la nettoyer si nécessaire.
Le lave-vaisselle n'évacue pas l'eau/Eau dans le bas de la cuve	<ul style="list-style-type: none"> Si le lave-vaisselle est raccordé à un broyeur à déchets, s'assurer que l'opercule défonçable a été enlevé de l'arrivée d'eau du broyeur. Vérifier qu'il n'y a aucune obstruction de nourriture dans le tuyau d'évacuation ou le broyeur. Vérifier que le tuyau d'évacuation n'est pas entortillé. Vérifier les fusibles ou disjoncteurs de l'habitation. Vérifier que le cycle est terminé.
Le lave-vaisselle ajoute de l'eau à la fin du cycle	<ul style="list-style-type: none"> C'est normal. Le capteur (certains modèles) de la pompe doit rester sous l'eau, un léger remplissage d'eau est donc ajouté après la dernière évacuation du cycle.
Le godet à détergent n'est pas vide	<ul style="list-style-type: none"> Vérifier que le cycle est terminé. S'assurer que le distributeur n'est pas bloqué. Utiliser un détergent non périmé, entreposé dans un endroit frais et sec.
Le lave-vaisselle semble bruyant	<ul style="list-style-type: none"> Il est normal d'entendre un sifflement de la soupape d'eau durant le remplissage. Des bruits de circulation d'eau sont normaux. Un bruit sourd peut être un bras de lavage heurtant un article qui dépasse des paniers. Redisposer la vaisselle pour qu'elle ne gêne pas le bras de lavage. Des craquements et des grincements peuvent se faire entendre lorsque la lame interne du broyeur coupe des produits durs, comme des noyaux, des noix, etc. Un bourdonnement est normal au cours de l'évacuation. Un bruit de claquement est normal lorsque le couvercle du godet à détergent frappe la doublure de porte lorsque la porte du lave-vaisselle est ouverte à la fin du cycle. Une installation appropriée peut diminuer le niveau de bruit.
Cycle trop long	<ul style="list-style-type: none"> Le touche Hi Temp Wash ont été sélectionnées et le cycle est prolongé pour chauffer l'eau. Vérifier que la température d'arrivée d'eau est de 49 °C (120 °F).
Le lave-vaisselle dégage une odeur	<ul style="list-style-type: none"> Lancer un cycle Rinse Only (Rinçage seulement) (certains modèles) si on laisse de la vaisselle dans le lave-vaisselle. De nombreux lave-vaisselle dégagent une odeur de neuf lorsqu'ils sont installés pour la première fois. Cette odeur se dissipe avec l'utilisation. Il se peut que le lave-vaisselle n'évacue pas l'eau correctement. (Voir la section « Le Lave-vaisselle n'évacue pas l'eau ».) En cas d'odeur forte, mettre du bicarbonate de soude des deux côtés du godet de détergent. Sélectionner Light/Quick Wash (Lavage léger/rapido) et laisser circuler l'eau pendant environ 10 minutes. Interrompre le cycle en déverrouillant la porte et en la laissant ouverte pendant la nuit. Remettre le lave-vaisselle en marche en refermant la porte et en le laissant terminer le cycle. On peut aussi utiliser un produit de nettoyage de lave-vaisselle tel que le nettoyant Jet-Dry*.
Le lave-vaisselle fuit	<ul style="list-style-type: none"> Vérifier que le lave-vaisselle est de niveau. (Se reporter aux instructions d'installation.) De la mousse peut déborder du lave-vaisselle. Mesurer soigneusement la quantité de détergent et utiliser seulement des détergents conçus pour lave-vaisselle. Il faut moins de détergent dans de l'eau douce. Si la mousse subsiste, essayer une autre marque. Suivre soigneusement le mode d'emploi concernant l'ajout d'un article oublié (page 15). Pour éviter toute fuite d'agent de rinçage du distributeur, s'assurer que le couvercle est correctement fermé.
Clignotement des témoins lumineux	<ul style="list-style-type: none"> L'affichage du compte à rebours (certains modèles) clignote après la sélection du cycle et jusqu'à ce que l'on appuie sur la touche START/Cancel. L'affichage du compte à rebours (certains modèles) et le témoin lumineux de démarrage différé clignotent après la sélection d'une durée de démarrage différé et jusqu'à ce que l'on appuie sur la touche START/Cancel. Tous les témoins lumineux actifs de l'affichage clignotent si la porte est ouverte pendant un cycle ou un démarrage différé en cours. Le témoin du cycle sélectionné clignote si l'on essaie de modifier le cycle après un « verrouillage » des commandes.

*Les noms de marque sont les marques de commerce des fabricants respectifs.

PROBLÈME	SOLUTION
Les verres sont ternes/tachetés	<ul style="list-style-type: none"> • Sélectionnez le lavage à haute température. • Vérifier la température de l'eau. La température d'arrivée d'eau doit se trouver entre 49 °C (120 °F). • Toujours utiliser un agent de rinçage. • S'assurer que le dépôt terne peut être enlevé en faisant tremper l'article dans du vinaigre blanc pendant environ 5 minutes. Si c'est le cas, le problème est dû à de l'eau dure. Régler la quantité de détergent à utiliser pour correspondre à la dureté de l'eau (page 17). S'assurer que le détergent est non périmé, correctement rangé et de haute qualité. • Si on ne peut pas enlever la couche terne, cela étant le résultat d'une attaque chimique. Une érosion de la surface du verre est peut-être causée par l'eau trop chaude, par l'utilisation d'une quantité excessive de détergent ou par un prélavage. Pour agir, le détergent a besoin de saleté. Si une attaque chimique se produit, le verre est endommagé en permanence. Pour éviter toute attaque future, ajuster la quantité de détergent pour qu'elle corresponde à la dureté de l'eau, arrêter le prélavage et n'utiliser les options de chauffage de l'eau que lorsque la température d'arrivée d'eau est inférieure à 49 °C (120 °F).
De la saleté reste sur la vaisselle	<ul style="list-style-type: none"> • Vérifier la température de l'eau. La température d'arrivée d'eau doit se trouver entre 49 °C (120 °F). • Laisser couler de l'eau chaude dans un évier avant de mettre le lave-vaisselle en marche. • Vérifier la dureté de l'eau et régler la quantité de détergent en conséquence (page 17). • Utiliser un détergent non périmé, rangé dans un endroit frais et sec. • Sélectionner le cycle approprié au niveau de saleté ou Hi Temp Wash (certains modèles) (page 18). • S'assurer que le connecteur du bras de lavage du panier supérieur est correctement aligné avec un des orifices d'arrivée d'eau (page 16). • Loger les articles pour qu'ils ne bloquent pas les bras du lave-vaisselle (page 16). • Dans le panier à couverts, loger les couteaux avec le manche vers le haut et les cuillères et fourchettes avec le manche vers le bas. • Ne pas placer les verres sur les tiges. • Avant le chargement, nettoyer les résidus de nourriture et le dépôt provenant de l'utilisation des ustensiles avec des pâtes, du riz et de la farine d'avoine. Il faut plus d'énergie pour nettoyer ce type de résidu que le reste de la charge.
Les articles lavés dans le lave-vaisselle (ou la cuve du lave-vaisselle elle-même) sont tachés/décolorés	<ul style="list-style-type: none"> • Les ustensiles ou les marmites en aluminium peuvent laisser des marques lorsqu'elles touchent d'autres articles. Laisser un espace entre ces articles. • Des dépôts de fer dans l'eau peuvent laisser un film jaune, orange ou brun sur la vaisselle ou la cuve du lave-vaisselle. Un filtre peut être nécessaire. Vérifier avec votre compagnie d'approvisionnement en eau. • Séparer l'argenterie ou l'argenterie plaquée de l'acier inoxydable. Ces métaux peuvent être endommagés par contact avec l'un l'autre pendant le lavage. • Les sauces à base de tomate peuvent colorer la cuve (page 20). Si la tache est légère, laisser la porte ouverte pour oxyder la tache. Utiliser un détergent qui contient du chlore pour mieux combattre les taches. • Certains détergents de lave-vaisselle peuvent tacher l'argent. Essayer une autre marque de détergent.
Articles incorrectement séchés/ présence d'humidité à l'intérieur du lave-vaisselle après le cycle de séchage	<ul style="list-style-type: none"> • S'assurer que l'option Heated Dry (Séchage à chaud) est sélectionnée. • Des gouttes d'eau peuvent se former sur la porte intérieure au cours du processus de séchage. • Utiliser régulièrement un agent de rinçage tel que Jet Dry* ou Cascade*. Pour améliorer le séchage, placer le sélecteur d'agent de rinçage à la position MAX. • Vérifier la température de l'eau. La température d'arrivée d'eau doit se trouver entre 49 °C (120 °F). • Sélectionnez le lavage à haute température. • Augmenter la quantité de détergent pour correspondre à la dureté de l'eau (page 17). • Loger les articles correctement (page 16). • Les articles en plastique et ceux à surface non adhérente sont difficiles à sécher parce qu'ils comportent une surface poreuse qui tend à conserver des gouttes d'eau. Il pourrait être nécessaire de les sécher à la main. • Les verres et les tasses avec un fond concave retiennent l'eau et nécessitent un séchage à la main. Placer ces articles sur le côté incliné du panier pour améliorer les résultats.
Vaisselle ébréchée	<ul style="list-style-type: none"> • Loger la vaisselle en fonction des instructions pour que les articles ne se touchent pas (page 16). • Le lavage de cristal ou de porcelaine fine dans le lave-vaisselle n'est pas recommandé. • Ne pas placer de verres sur les tiges. • Ne pas surcharger le lave-vaisselle.

*Les noms de marque sont les marques de commerce des fabricants respectifs.



Garantie et Service

Garantie

Garantie limitée d'un an - pièces et main-d'œuvre

Durant une période d'un (1) an à compter de la date de l'achat initial, toute pièce qui se révélerait défectueuse dans les conditions normales d'usage ménager sera réparée ou remplacée gratuitement.

Résidents du Canada

Les garanties ci-dessus couvrent un appareil installé au Canada seulement s'il a été agréé par les agences de test habilitées (vérification de la conformité à une norme nationale du Canada), sauf si l'appareil a été introduit au Canada à l'occasion d'un changement de résidence des États-Unis vers le Canada.

*Les garanties spécifiques formulées ci-dessus sont les **SEULES** que le fabricant accorde. Ces garanties vous confèrent des droits juridiques spécifiques et vous pouvez également jouir d'autres droits, variables d'un État à l'autre ou d'une province à l'autre.*

LE SEUL ET UNIQUE RECOURS DU CLIENT EN VERTU DE CETTE GARANTIE LIMITÉE EST LA RÉPARATION DU PRODUIT COMME DÉCRITE PRÉCÉDEMMENT. LES GARANTIES IMPLICITES, Y COMPRIS LES GARANTIES DE QUALITÉ MARCHANDE OU D'ADAPTATION À UN USAGE PARTICULIER, SONT LIMITÉES À UN AN OU À LA PÉRIODE LA PLUS COURTE PERMISE PAR LA LOI. MAYTAG CORPORATION NE SERA PAS TENUE RESPONSABLE DES DOMMAGES DIRECTS OU INDIRECTS. CERTAINS ÉTATS ET CERTAINES PROVINCES INTERDISENT L'EXCLUSION ET LA LIMITATION DES DOMMAGES DIRECTS OU INDIRECTS AINSI QUE LES LIMITATIONS SUR LA DURÉE DES GARANTIES IMPLICITES DE QUALITÉ MARCHANDE OU D'ADAPTATION À UN USAGE PARTICULIER. IL EST DONC POSSIBLE QUE CES LIMITATIONS NE S'APPLIQUENT PAS À VOUS. CETTE GARANTIE VOUS CONFÈRE DES DROITS JURIDIQUES SPÉCIFIQUES ET IL SE PEUT QUE VOUS AYIEZ D'AUTRES DROITS, QUI VARIENT D'UN ÉTAT À L'AUTRE OU D'UNE PROVINCE À L'AUTRE.

Ne sont pas couverts par ces garanties

1. Les problèmes et dommages résultant des situations suivantes :
 - a. Mise en service, livraison ou entretien effectués incorrectement.
 - b. Toute réparation, modification, altération et tout réglage non autorisés par le fabricant ou par un prestataire de service après-vente agréé.
 - c. Mauvais emploi, emploi abusif, accidents, usage non raisonnable, ou catastrophe naturelle.
 - d. Courant électrique, tension, alimentation électrique ou en gaz incorrects.
 - e. Réglage incorrect d'une commande.
2. Les garanties ne peuvent être honorées si les numéros de série d'origine ont été enlevés, modifiés ou ne sont pas facilement lisibles.
3. Ampoules, filtres à eau et filtres à air.
4. Les produits achetés à des fins commerciales ou industrielles.
5. Les frais de dépannage ou de visite pour :
 - a. Correction d'erreurs de mise en service. Pour les produits nécessitant une ventilation, un conduit métallique rigide doit être utilisé.
 - b. Initiation de l'utilisateur à l'emploi de l'appareil.
 - c. Transport de l'appareil chez le réparateur et retour de l'appareil chez l'utilisateur.
6. Tout aliment perdu en raison de pannes du réfrigérateur ou du congélateur.
7. Dépenses de déplacement et de transport pour la réparation du produit dans des endroits éloignés.
8. Cette garantie n'est pas valide à l'extérieur des États-Unis et du Canada. Communiquez avec votre détaillant pour savoir si une autre garantie s'applique.
9. Dommages indirects ou accessoires subis par toute personne à la suite d'une quelconque violation des garanties. Certains États ou provinces ne permettent pas l'exclusion ou la limitation de responsabilité en ce qui concerne les dommages directs ou indirects. L'exclusion ci-dessus peut en conséquence ne pas s'appliquer à votre cas.

Si vous avez besoin d'aide

Consultez d'abord la section sur le dépannage dans le manuel d'utilisation et d'entretien, puis appelez le détaillant de qui vous avez acheté votre appareil ou le service à la clientèle de Maytag Services, LLC au 1-800-688-9900 aux États-Unis et au 1-800-688-2002 au Canada pour savoir où trouver un réparateur autorisé.

- Veillez à conserver la facture d'achat pour justifier de la validité de la garantie. Pour d'autres renseignements concernant les responsabilités du propriétaire à l'égard du service sous garantie, voir le texte de la GARANTIE.
- Si le détaillant ou l'agence de service après-vente ne peut résoudre le problème, écrivez à Maytag Services, LLC à l'adresse suivante : CAIR® Center, P.O. Box 2370, Cleveland, TN 37320-2370 États-Unis, ou appelez au **1-800-688-9900 aux États-Unis ou au 1-800-688-2002 au Canada.**
- Les guides d'utilisation, les manuels de service et les renseignements sur les pièces sont disponibles auprès du service à la clientèle de Maytag Services, LLC.

Remarques : Veillez à fournir l'information suivante lorsque vous communiquez avec nous au sujet d'un problème :

- a. Vos nom, adresse et numéro de téléphone;
- b. Numéro de modèle et numéro de série de l'appareil;
- c. Nom et adresse du détaillant avec la date l'appareil acheté;
- d. Description détaillée du problème observé;
- e. Preuve d'achat (facture de vente).

Lavavajillas

Guía de Uso y Cuidado



Tabla de Materias



Seguridad 25



Lo Que Puede y No Puede ser Lavado26



Sugerencias de Funcionamiento 27



Carga del Lavavajillas 28



Uso del Lavavajillas 29



Ciclos, Opciones y Luces 30-31



Cuidado y Limpieza 32



Localización y Solución de Averías 33-34



Garantía y Servicio Última Página

Instalador: Por favor deje este manual junto con el electrodoméstico.

Consumidor: Por favor lea y conserve este manual para referencia futura. Conserve el recibo de compra y/o el cheque cancelado como comprobante de compra.

Número de Modelo _____

Número de Serie _____

Fecha de Compra _____

Si tiene preguntas, llame al:

1-800-688-9900 EE. UU. y 1-800-688-2002 CANADÁ
(Lunes a Viernes, 8:00 a.m. - 8:00 p.m. Hora del Este)

En nuestro continuo afán de mejorar la calidad de nuestros electrodomésticos, puede que sea necesario modificar el electrodoméstico sin actualizar esta guía.

Para información sobre servicio, ver la última página.



Seguridad

Lo que Necesita Saber sobre las Instrucciones de Seguridad

Las advertencias e instrucciones importantes sobre seguridad que aparecen en este manual no están destinadas a cubrir todas las posibles circunstancias y situaciones que puedan ocurrir. Se debe ejercer sentido común, precaución y cuidado cuando instale, realice mantenimiento o haga funcionar el lavavajillas.

Siempre póngase en contacto con su fabricante si surgen problemas o situaciones que usted no comprenda.

Reconozca los Símbolos, Advertencias y Etiquetas de Seguridad

⚠ ADVERTENCIA

ADVERTENCIA – Peligros o prácticas no seguras que **PODRÍAN** causar lesión personal grave o mortal.


⚠ PRECAUCIÓN

PRECAUCIÓN – Peligros o prácticas no seguras que **PODRÍAN** causar lesiones personales menores o daños al producto.

Instrucciones Importantes de Seguridad

⚠ ADVERTENCIA

Verifique con el instalador para asegurarse de que el electrodoméstico ha sido puesto a tierra en forma debida a fin de evitar posible choque eléctrico. asegúrese de leer la instrucciones importantes sobre seguridad antes de usar este lavavajillas.

Los productos que tienen la etiqueta  han sido aprobados por Underwriter's Laboratories, Inc. - aquellos que tienen la etiqueta de la CSA han sido aprobador por la Asociación de Normas Canadienses. Sin embargo, al igual que con cualquier otro equipo que usa electricidad y piezas móviles, siempre existe un riesgo potencial.

⚠ ADVERTENCIA

Cuando use su lavavajillas, siga las precauciones básicas, incluyendo las siguientes:

1. Lea todas las instrucciones antes de usar el lavavajillas.
2. Use el lavavajillas solamente para la función a que fue destinado.
3. Desenchufe el lavavajillas antes de efectuar cualquier reparación.
4. Para evitar el peligro de choque eléctrico, los costados y la parte trasera debe estar encerrada y los paneles delanteros deben estar instalados antes de enchufar el lavavajillas. Consulte las instrucciones de instalación para los procedimientos apropiados de puesta a tierra.
5. A fin de evitar sobrecarga eléctrica, conecte el lavavajillas a un circuito de suministro eléctrico debidamente protegido y de capacidad suficiente.
6. No se debe permitir que los niños hagan funcionar o jueguen en el lavavajillas o alrededor del mismo.
7. A fin de reducir el riesgo de sufrir una lesión cuando se está cargando el lavavajillas, los artículos puntiagudos o afilados deben colocarse con los mangos hacia arriba. Además, coloque los artículos afilados de modo que no vayan a dañar la junta de la puerta.
8. No toque el elemento calefactor que se encuentra en el fondo de la tina durante o al término de un ciclo, pues estará caliente.
9. Use solamente detergentes y aditivos de enjuague diseñados exclusivamente para uso en lavavajillas domésticos automáticos. Nunca use en el lavavajillas jabón, detergente para lavar ropa ni detergente de lavar a mano. Mantenga estos productos fuera del alcance de los niños.
10. No se siente, ni se pare o haga uso abusivo de la puerta o de los soportes de los platos del lavavajillas.
11. Bajo ciertas condiciones, se puede producir gas hidrógeno en un sistema de agua caliente que no ha sido usado durante dos semanas o más. **El hidrógeno es un gas explosivo.** Si el sistema del agua caliente no ha sido usado durante tal período, abra todas las llaves del agua caliente y deje que el agua escurra durante varios minutos para hacer salir el gas hidrógeno acumulado. Debido a que el gas es inflamable, no fume ni use una llama abierta durante este proceso.
12. No lave artículos de plástico a menos que estén marcados "resistentes al lavavajillas" o algo similar. Para los artículos de plásticos que no estén marcados, verifique las recomendaciones del fabricante.
13. No altere los controles.
14. A fin de evitar los riesgos de que los niños queden atrapados o se afijen dentro del lavavajillas, siempre retire la puerta del compartimiento del lavado cuando descarte o ponga fuera de servicio un lavavajillas antiguo.
15. Tenga cuidado cuando esté sacando la vajilla limpia del lavavajillas. Los platos pueden estar calientes si lo hace inmediatamente después de haberse completado el ciclo.
16. Los lavavajillas de uso doméstico no han sido diseñados para uso en restaurantes.
17. Para evitar daños causados por agua o moho, verifique las conexiones de las mangueras de admisión y drenaje con frecuencia para asegurarse de que no haya escapes.

Conserve estas Instrucciones para Referencia Futura



Lo Que Puede y No Puede Ser Lavado

La mayoría de los servicios de mesa, utensilios de cocina y cubiertos pueden ser lavados en el lavavajillas. Consulte con el fabricante.

MATERIAL	¿RESISTENTE AL LAVAVAJILLAS?	INFORMACION ESPECIAL
Aluminio	Sí, excepto cuando es aluminio anodizado.	El agua caliente y los detergentes pueden afectar el acabado.
Hierro Fundido	No	Se deteriorará el templado y el hierro se oxidará.
Loza/Cerámica	Sí, excepto si es una antigüedad o está pintada a mano.	Siempre siga las recomendaciones del fabricante antes de lavar. Las antigüedades pintadas a mano o los motivos en esmalte se descolorarán. Los adornos en hoja de oro se descolorarán.
Cristal	Sí, excepto si es una antigüedad o cristal delicado.	Siempre siga las recomendaciones del fabricante antes de lavar. Algunos tipos de cristales emplomados pueden marcarse si se lavan con frecuencia.
Filtros	No se recomienda.	Pueden dejar un depósito negruzco o manchar el interior del lavavajillas.
Vidrio	Sí	Un tipo de vidrio especial llamado 'vidrio lechoso' puede ponerse amarillo si se lava continuamente en el lavavajillas.
Platos enchapados en oro	No	Se descolorarán.
Peltre, Estaño	No	
Plásticos	Sí, en la rejilla superior; excepto los artículos de plástico desechables.	Siempre siga la recomendación del fabricante antes de lavar. Los plásticos varían en su capacidad para soportar el agua caliente y los detergentes. Por esta razón, los artículos de plástico desechables no son resistentes al lavavajillas.
Acero Inoxidable	Sí	Si no lo va a lavar inmediatamente, use un ciclo 'Rinse Only' (Enjuague Solamente) (modelos selectos). El contacto prolongado con alimentos que contengan sal, vinagre, productos lácteos o jugos pueden dañar el acabado.
Plata de Ley o Metal Plateado	No, si tiene "oscurecimiento" comercial.	Siempre siga la recomendación del fabricante antes de lavar. Si no lo va a lavar inmediatamente, use un ciclo 'Rinse Only' (modelos selectos). El contacto prolongado con alimentos que contengan sal, ácido o sulfuro (huevos, mayonesa y mariscos) pueden dañar el acabado. El "oscurecimiento" comercial puede ser quitado con detergente.
Artículos de Madera	No	La madera puede combarse, agrietarse o perder su color.



Sugerencias de Funcionamiento

Antes de Comenzar

- **No enjuague los platos antes de colocarlos en el lavavajillas. Solamente retire los huesos y los restos de alimentos grandes.**
- Si el lavavajillas está conectado a un triturador de desperdicios, **asegúrese de que el triturador esté vacío antes de poner en marcha el lavavajillas.**
- **Limpie las manchas de alimentos a base de tomates** (ver página 32).
- **Retire los restos de ciertos alimentos** (tales como mostaza, mayonesa, jugo de limón, vinagre, sal o aderezos) **de los cubiertos de acero inoxidable tan pronto como sea posible.** Estos alimentos pueden causar oxidación y picaduras si se dejan en contacto con la superficie por un período de tiempo prolongado.

Funcionamiento del Lavavajillas

1. Después de cargar el lavavajillas y añadir el detergente, elija el ciclo que desea utilizar oprimiendo la tecla de selección del ciclo hasta que la luz indicadora que se encuentra al lado del ciclo correspondiente se ilumine. Seleccione las opciones deseadas oprimiendo las teclas. Las luces de indicador para el ciclo seleccionado y las opciones iluminarán. Para cancelar una opción presione el cojín otra vez.
2. Para comenzar un ciclo, cierre la puerta con seguro y luego oprima una vez la tecla **'START/Cancel'** (**PUESTA EN MARCHA/ Cancelar**). Después de una pausa, el lavavajillas se comenzará a llenar. La cuenta regresiva desplegada (modelos selectos) comenzará a destellar hasta que se oprima **'START/Cancel'**.

Nota

- Si no se oprime **'START/Cancel'** dentro de 30 segundos de haber seleccionado el ciclo, el lavavajillas se apagará.

El lavavajillas recuerda el último ciclo usado, por lo tanto no debe programar el ciclo cada vez. Para poner en marcha el lavavajillas usando el mismo ciclo y las mismas opciones seleccionadas en un lavado anterior, simplemente oprima la tecla **'START/Cancel'**.

3. Para cancelar un ciclo en curso, oprima una vez la tecla **'START/Cancel'**. El lavavajillas se desaguará y luego se apagará. Para apagar el lavavajillas sin desagüe, oprima dos veces la tecla **'START/Cancel'**. Para evitar cambios inesperados de ciclo o de opciones, estas selecciones quedan "bloqueadas" después de 1 minuto.

Nota

- Si se oprime la tecla del ciclo selecto después que los controles han sido 'bloqueados', la luz situada al lado del ciclo seleccionado destellará tres veces.

Como Agregar un Artículo Olvidado

Para una mejor limpieza, el artículo olvidado debe ser agregado a comienzos del ciclo.

1. Sujete la manija de la puerta y desengánchela sin abrirla completamente. Todas las luces destellarán indicando que el ciclo se ha suspendido.
2. Espere que el agua termine de circular.
3. Abra la puerta y agregue el artículo.
4. Cierre bien la puerta. Las luces dejarán de destellar cuando la puerta esté debidamente cerrada. Después de una leve demora, el ciclo se reanuda automáticamente desde el punto de interrupción.

Notas

- Si se abre la puerta durante el funcionamiento de un ciclo, puede haber una demora de 30 segundos antes de que la lavadora reanude el ciclo después de que se cierra la puerta.
- No se recomienda la interrupción prolongada del ciclo de lavado.



Carga del Lavavajillas

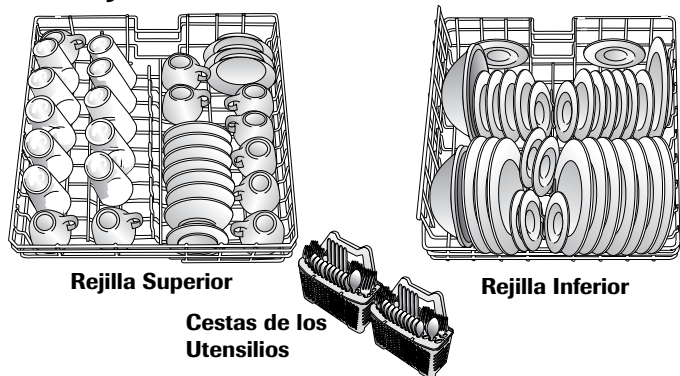
Recomendaciones Generales

(Las características de las rejillas varían según el modelo)

- Los artículos pueden centrarse detrás de un soporte o colocarse en ángulo para aprovechar el espacio.
- Evite bloquear o impedir que los brazos rociadores giren libremente. No deje que los artículos sobresalgan de las rejillas.
- Dirija las superficies sucias de los artículos hacia el centro del lavavajillas.

Para obtener mejores resultados con el lavado de la vajilla, siga estas pautas para determinar cual es la mejor distribución de sus artículos.

Cubiertos para 10 Personas (Las características de las rejillas varían según el modelo)



Rejilla Superior

Los vasos, tazas, copas, plásticos livianos, platos, tazones, ollas, utensilios de mangos largos, etc. no deben ser colocados en esta rejilla. **No coloque los vasos sobre los soportes.**

Rejilla Inferior

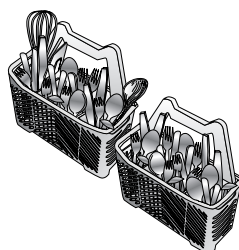
En esta rejilla se pueden acomodar una variedad de artículos tal como platos de servir, tazones, ollas y cacerolas y bandejas de hornear.

Los artículos más anchos se pueden colocar a lo largo del lado izquierdo y de la parte trasera de la canastilla.

Cestas de Utensilios Removibles de la puerta

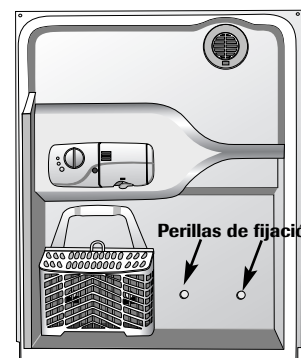
Cestas de los utensilios

Para obtener los mejores resultados de la limpieza, evite que los artículos queden juntos colocando algunos de ellos en la cesta con las manijas hacia arriba y otros con las manijas hacia abajo. Coloque los cuchillos con el mango hacia arriba y las cucharas y tenedores con los mangos hacia abajo.



Para sacar la(s) cesta(s) de la puerta:

1. Sostenga la cesta de utensilios por la manija. Deslícela hacia la parte superior de la puerta.
2. Levante la cesta para desengancharla de las perillas de fijación.



Para volver a instalar la(s) cesta(s) en la puerta:

1. Alinee las rendijas en la parte trasera de la bandeja de utensilios con las perillas en la puerta.
2. Asiente la cesta de utensilios en las perillas de fijación.
3. Deslice la cesta hacia la parte inferior de la puerta hasta que encaje en su lugar.

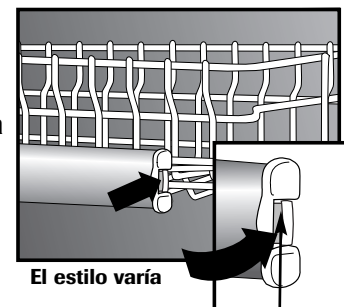
Desmontaje de la Rejilla Superior

La rejilla superior puede ser retirada cuando sea necesario colocar artículos altos o de gran tamaño en la rejilla inferior. Retire todos los artículos de la rejilla antes de sacarla.

Para retirar la rejilla con topes de bloqueo de lengüeta (modelos selectos):

1. Saque la rejilla entre 1/3 y 1/2 de su extensión.

2. Ubique los topes de la rejilla al final de cada riel. Apriete la lengüeta en el medio del tope y tire del tope de la rejilla derecho hacia afuera. Tenga cuidado de apoyar la rejilla mientras retira los topes.



El estilo varía

Tope con Lengüeta a Presión

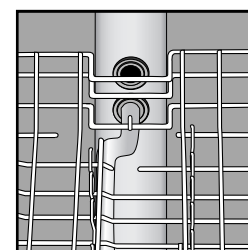
3. Saque completamente la rejilla de sus rieles y retírela del lavavajillas.

Para volver a instalar:

1. Vuelva a instalar la rejilla del lavavajillas colocando las ruedas en los rieles.
2. Empuje cada tope de la rejilla directamente hacia adentro del extremo del riel hasta que encaje en el agujero pequeño ubicado en el costado del riel.

Importante:

El lavavajillas no funcionará en forma debida si la conexión del brazo rociador instalado en la rejilla no está alineada con uno de los agujeros de entrada del agua en la pared trasera del lavavajillas.





Uso del Lavavajillas

Agua Caliente

Para una limpieza y secado óptimos, es necesario usar agua caliente. La temperatura del agua de entrada debe ser entre 120°F (49°C) para activar bien el detergente y derretir la suciedad de alimentos grasosos.

Para verificar la temperatura del agua de entrada, abra la llave del agua caliente más cercana al lavavajillas y recoja agua en un vaso en el fregadero. Coloque un termómetro en el vaso de agua y verifique la temperatura cuando deje de subir.

Detergente

Use un detergente diseñado específicamente para lavavajillas automáticos. Asegúrese de que esté fresco. Guarde el detergente granulado en un lugar seco y frío (*no debajo del fregadero*).

Cantidad Recomendada

Si se usa muy poco detergente se afecta la calidad de la limpieza, quedan manchas y películas del agua dura y el secado es deficiente. Si se usa demasiado detergente se pueden causar rayaduras u opacidad permanente.

La espuma puede hacer que el agua se desborde del lavavajillas. Mida el detergente cuidadosamente y sólo utilice detergentes diseñados para lavavajillas. Use menos cantidad de detergente si usa agua suavizada. Si el exceso de espuma persiste, pruebe usar otra marca de detergente.

La cantidad de detergente que se debe usar depende de la dureza del agua y del nivel de suciedad de la vajilla. Consulte la tabla siguiente para las recomendaciones sobre uso del detergente.

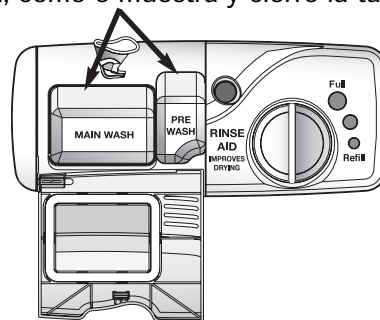
DUREZA DEL AGUA*	NIVEL DE SUCIEDAD	DETERGENTE DEL PRELAVADO	DETERGENTE PRINCIPAL DE LA COLADA
Blanda (0-4 gpg)	Leve	2 cucharaditas	6 cucharaditas
	Normal	4 cucharaditas	6 cucharaditas
	Excesiva	4 cucharaditas	7 cucharaditas
Semiblanda (5-9 gpg)	Leve	4 cucharaditas	6 cucharaditas
	Normal	4 cucharaditas	6 cucharaditas
	Excesiva	5 cucharaditas	7 cucharaditas
Dura (10-12 gpg)	Todos los Niveles	5 cucharaditas	8 cucharaditas

*Su compañía de agua local o el servicio de extensión de la universidad estatal pueden informarle sobre el grado de dureza del agua en su área.

En los casos en que el agua es extremadamente dura (13 granos por galón o más*), es difícil lograr buenos resultados con cualquier

lavavajillas que se use. Puede que sea necesario usar un dispositivo mecánico para ablandar el agua a fin de mejorar la calidad del agua, la eficacia del detergente y proteger las piezas del lavavajillas contra el daño que puede causar el agua dura.

Agregue la cantidad de detergente recomendada a cada taza, como e muestra y cierre la tapa.



No use detergente con el ciclo 'Rinse Only' (Enjuague Solamente) (modelos selectos). Deje abierta la tapa del compartimiento del detergente cuando use el ciclo 'Rinse Only' (modelos selectos).

Aditivo de Enjuague

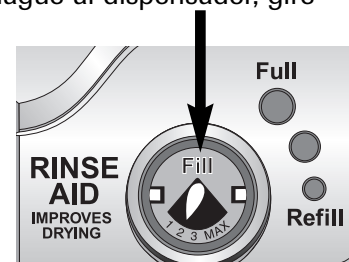
El uso regular de un aditivo de enjuague mejora el secado, reduce las manchas y películas y reduce la humedad que queda en el interior del lavavajillas.

Junto al compartimiento del detergente se encuentra un dispensador de aditivo de enjuague.

La ventanilla junto a la tapa del dispensador indica cuando es necesario volver a llenar el dispensador. Cuando el nivel del aditivo de enjuague esté más abajo de las marcas indicadoras y la ventanilla está casi clara, es tiempo de volver a llenar el dispensador.

Revise el dispensador todos los meses.

Para agregar aditivo de enjuague al dispensador, gire la tapa a la izquierda para abrirla. Retire la tapa y vacíe aditivo de enjuague líquido en la abertura. La cantidad de aditivo que será distribuida durante el lavado puede ser ajustada moviendo la palanca



situada dentro de la cavidad. Por lo general use el ajuste "2" recomendado por la mayoría de los fabricantes. Ajústelo a la marca "MAX" en los casos de agua dura. Coloque la palanca entre cualquiera de estas cantidades según sea necesario para obtener los mejores resultados. Vuelva a colocar la tapa y gírela a la derecha para cerrarla.



Ciclos, Opciones y Luces

Ciclos

Seleccione el ciclo que describa mejor la carga del lavavajillas oprimiendo la tecla del ciclo selecto. (Ver página 26, **Funcionamiento del Lavavajillas**, para obtener las instrucciones como comenzar el ciclo).

CICLO	DESCRIPCION	TIEMPO (MIN. APPROX.)	NUMERO DE LAVADOS/ENJUAGUES
'Heavy Wash' (Lavado Intenso)	Este es un ciclo prolongado para suciedad excesiva de la vajilla.	132*	2 lavados/3 enjuagues
'Normal Wash' (Lavado Normal)	Este es un ciclo de mediana duración para suciedad normal de la vajilla. El Sensor de turbiedad está activo durante este ciclo.	97-117*	1-2 lavados**/1-2 enjuagues**
'Light/Quick Wash' (Lavado Leve/Rápido)	Este es un ciclo corto para suciedad leve de la vajilla.	82*	1 lavados/2 enjuagues
'Rinse Only' (Enjuague Solamente) (modelos selectos)	Enjuague de los platos que se están reservando para cuando haya una carga completa.	9	1 enjuagues

* Incluye aproximadamente 30 minutos de tiempo de secado.

** El número de llenados dependerá del nivel de suciedad de los artículos.

Nota

- Dependiendo de la temperatura del agua, puede que se agregue tiempo al ciclo para que el agua alcance la temperatura apropiada.

Opciones de los Ciclos

Además de seleccionar un ciclo, seleccione tantas de las opciones siguientes que están disponibles con el ciclo seleccionado **como sean necesarias** de acuerdo con la carga del lavavajillas.

OPCIONES	DESCRIPCION	CICLOS DE USO
'High Temp Wash' (Temperatura alta) (modelos selectos)	La función 'High Temp Wash' (Temperatura alta) proporciona calor adicional durante la etapa de lavado del ciclo y ayuda a mantener la temperatura adecuada del agua para asegurar mejores resultados de lavado y secado.	Todos los Ciclos (excepto 'Rinse Only')
'Heated Dry' (Secado Caliente)	Seleccione esta opción para mejorar la eficiencia del secado. Cuando no se selecciona 'Heated Dry' puede que sea necesario secar con paños algunos artículos tal como los artículos de plástico con superficies antiadherentes y se observará que hay más humedad en el interior del lavavajillas. En los modelos con interiores de plástico, es normal observar que escapa vapor a través del respiradero de la puerta a medida que el calor seca los platos. Saldrá vapor aunque no se seleccione 'Heated Dry' .	Todos los Ciclos (excepto 'Rinse Only') (modelos selectos)
'Delay' (Lavado Diferido)	Pone en funcionamiento y detiene el lavavajillas. Ver página 34 Bajo Funcionamiento del Lavavajillas.	Todos los Ciclos

PRECAUCIÓN

PRECAUCIÓN – En los modelos con interiores de plástico, es normal observar que escapa vapor a través del respiradero de la puerta situado en la esquina superior izquierda de la puerta a medida que el calor seca los platos. El vapor está caliente y puede causar quemaduras leves.



Ciclos, Opciones y Luces

'Delay' (Lavado Diferido)

La opción **'Delay'** puede ser usada para comenzar automáticamente el ciclo en una hora posterior a fin de reducir la acumulación de calor en el hogar durante el día o para aprovechar los costos de energía reducidos, si están disponibles en su área. Esta opción es también útil para ahorro de agua caliente en las horas de mayor uso en el hogar (duchas, lavado de ropa).

Programación de un lavado diferido:

1. Seleccione el ciclo apropiado y las opciones para el lavado. Cierre la puerta.
2. Oprima la tecla **'Delay'** hasta seleccionar la cantidad de tiempo deseada.
3. El indicador **'Delay'** y la cuenta regresiva (modelos selectos) destellarán hasta que se oprima la tecla **'START/Cancel' (PUESTA EN MARCHA/ Cancelar)**.
4. Tan pronto como se oprime la tecla **'START/Cancel'**, el indicador dejará de destellar y comenzará la cuenta regresiva del tiempo diferido. El indicador **'Delay'** permanecerá iluminado hasta que expire el tiempo diferido.

5. El ciclo comenzará automáticamente tan pronto como expire el tiempo diferido.

Nota

- Si pasan 30 segundos y no se oprime la tecla **'START/Cancel'**, el lavavajillas se apagará.

Cancelación de un lavado diferido:

Cuando se está desplegando la cuenta regresiva, oprima nuevamente la tecla **'Delay'**. La luz indicadora se apagará y el ciclo comenzará o se reanudará inmediatamente.

Cancelación de un lavado diferido y de un ciclo:

- Oprima **'START/Cancel'** una vez para desaguar y apagar el lavavajillas.

U

- Oprima **'START/Cancel'** dos veces para apagar el lavavajillas sin desagüe.

Luces

INDICADOR	DESCRIPCION
'ON' EN	La luz se ilumina durante todas las porciones de enjuague, lavado y secado del ciclos.



Cuidado y Limpieza

Recomendaciones Generales

- El interior del lavavajillas por lo general se limpia por sí solo. Revise periódicamente el fondo de la tina del lavavajillas para ver si hay partículas grandes.
- Limpie el borde del forro interior de la puerta para quitar cualquier salpicadura de alimentos que pueda haber ocurrido cuando estaba cargando el lavavajillas.
- Cuando limpie acero inoxidable, siempre hágalo a favor del grano. **Nunca** use productos que contengan blanqueador a base de cloro o ácido cítrico.

- El color de algunas manchas de alimentos a base de tomate pueden ocasionalmente adherirse a los diversos componentes del interior del lavavajillas, causando descoloración temporal.

Para ayudar a reducir este problema:

- Limpie el exceso de alimentos a base de tomate de los platos antes de colocarlos en el lavavajillas.
- Use el ciclo 'Heavy Wash' (Lavado Intenso) cuando lave artículos que contengan suciedad de alimentos a base de tomate.
- Usar un detergente para lavavajillas que contenga cloro para eliminar mejor las manchas.

UBICACION	NIVEL DE SUCIEDAD	TRATAMIENTO
Exterior Estándar	Leve a moderada	Paño húmedo suave y limpiador líquido en rociador. No use polvos abrasivos ni esponjas de limpieza.
Exterior de Acero Inoxidable (modelos selectos)	Limpieza diaria y suciedad leve	Esponja o paño suave y uno de lo siguiente: <ul style="list-style-type: none"> • Detergente suave y agua • Una solución a base de vinagre blanca y agua • Limpiavidrios y limpiador de superficies 'Formula 409'* o un limpiador de superficies similar. • No use productos que contengan blanqueador a base de cloro o ácido cítrico. Enjuague y seque.
	Suciedad moderada a suciedad excesiva	Paño suave o esponja húmeda y 'Bon Ami*'. Enjuague y seque.
	Vetas o marcas de dedos/restaurar el brillo	Paño suave y limpiador 'Stainless Steel Magic Spray**'.
	Descoloración	Paño suave o esponja húmeda y limpiador 'Cameo Stainless Steel Cleaner*'. Enjuague inmediatamente y seque.
Interior	Leve a moderada	Paño suave o esponja húmeda.
	Descoloración o mancha a base de tomate	Cambie el detergente del lavavajillas por un producto a base de cloro.

*Las nombres de los productos son las marcas registradas de los respectivos fabricantes.

**Llame al 1-877-232-6771 para hacer pedidos.

Almacenamiento/Mudanza

Llene el compartimiento del detergente con un detergente para lavavajillas de fragancia fresca o bicarbonato de soda y seleccione el ciclo '**Normal Wash**' (Lavado Normal). Espere hasta que el lavavajillas complete el ciclo. Luego cierre el suministro de agua y desagüe el lavavajillas. Para desaguar, oprima una vez la tecla '**START/Cancel**' (**PUESTA EN MARCHA/Cancelar**) para activar el lavavajillas.

Oprima '**START/Cancel**' nuevamente para activar el desagüe. Desagüe el lavavajillas dos veces para asegurarse de que haya salido toda el agua. Finalmente, desenchufe el lavavajillas del suministro eléctrico y deje la puerta abierta.

Cuando cierre el agua del hogar, también se debe cerrar el agua hacia el lavavajillas.



Localización y Solución de Averías

LEA ESTOS PUNTOS PARA AYUDARLE A AHORRAR TIEMPO Y DINERO.

PROBLEMA	SOLUCIÓN
El lavavajillas no se llena	<ul style="list-style-type: none"> • Oprima la tecla 'START/Cancel' (PUESTA EN MARCHA/Cancelar) para ponerlo en marcha. • Cerciórese de que la puerta esté firmemente cerrada. • Cerciórese de que el agua esté conectada. • Verifique que se haya seleccionado la tecla correspondiente a un ciclo. • Verifique el disyuntor o la caja de fusibles de su hogar. • Verifique si la manguera de admisión está torcida. • Verifique si hay sedimentos en la válvula de entrada del agua y limpie si es necesario.
El lavavajillas no desagua/ queda agua en el fondo	<ul style="list-style-type: none"> • Si está conectado a un triturador de desechos de alimentos, asegúrese de que se haya sacado el disco removible de la admisión del triturador. • Verifique si hay obstrucción de alimento en el desagüe o en el triturador. • Verifique si la manguera de desagüe está torcida. • Verifique el disyuntor o la caja de fusibles de su hogar. • Verifique si el ciclo se ha completado.
El lavavajillas agrega agua al final del ciclo	<ul style="list-style-type: none"> • Esto es normal. El sensor (modelos selectos) en la bomba debe permanecer sumergido por lo tanto se agrega un poco de agua después del último desagüe del ciclo.
Queda detergente en el dispensador	<ul style="list-style-type: none"> • Verifique que se haya completado el ciclo. • Asegúrese de que el dispensador no esté bloqueado. • Use detergente fresco que ha estado guardado en un lugar seco y fresco.
El lavavajillas parece ruidoso	<ul style="list-style-type: none"> • El ruido producido por la llave del agua durante el llenado es normal. • Los sonidos de la circulación del agua son normales. • Un sonido pesado puede ser uno de los brazos rociadores que está golpeando un artículo que sobresale de las rejillas. Vuelva a acomodar los artículos a fin de evitar que obstruyan el brazo rociador. • Es posible que escuche ruidos de picado o rayado mientras la hoja interna de la picadora corta elementos duros como las semillas de las frutas, nueces, etc. • Un sonido como un murmullo durante el desagüe es normal. • Un sonido brusco es la tapa del depósito del detergente que golpea el forro de la puerta cuando se abre la puerta del lavavajillas al final del ciclo. Esto es normal. • La instalación correcta del lavavajillas afecta el nivel del ruido.
El ciclo es demasiado prolongado	<ul style="list-style-type: none"> • Seleccione la opción de lavado de temperatura alta. • Verifique para ver que la temperatura del agua de entrada sea 120°F (49°C).
El Lavavajillas tiene olor	<p>Lave los artículos que están en el lavavajillas con un ciclo de 'Rinse Only' (Enjuague Solamente) (modelos selectos).</p> <ul style="list-style-type: none"> • Muchos lavavajillas tienen olor a 'nuevo' cuando son recién instalados. Esto disminuirá con el tiempo. • El lavavajillas no está desaguando en forma debida. (Vea la sección "El lavavajillas no desagua".) • Si el olor es fuerte coloque bicarbonato en ambos compartimientos del detergente. Seleccione 'Light/Quick Wash' (Leve/Rápido) y deje que el agua circule durante 10 minutos. Interrumpa el ciclo abriendo la puerta y dejándola así hasta el otro día. Vuelva a poner en marcha el lavavajillas cerrando firmemente la puerta y dejando que se complete el ciclo. Otra alternativa es usar un producto de limpieza de lavavajillas tal como 'Jet-Dry Dishwasher Cleaner'*
El lavavajillas tiene escapes	<ul style="list-style-type: none"> • Verifique si el lavavajillas está nivelado. (Consulte las Instrucciones de Instalación.) • La espuma puede producir derrame en el lavavajillas. Mida el detergente cuidadosamente y use solamente detergentes diseñados para uso en un lavavajillas. Se necesita menos detergente cuando el agua es blanda. Pruebe otra marca de detergente si la espuma continúa. • Siga al pie de la letra las instrucciones sobre cómo añadir un artículo olvidado (página 27). • Para evitar escape del agente de enjuague del dispensador, asegúrese de que la tapa esté firmemente cerrada.
Luces indicadoras destellando	<ul style="list-style-type: none"> • La cuenta regresiva destellará en el indicador (modelos selectos) después de haber seleccionado un tiempo diferido hasta que se oprima la tecla 'START/Cancel' (PUESTA EN MARCHA/Cancelar). • El indicador de la cuenta regresiva (modelos selectos) y el indicador de 'Delay' destellarán después que se ha seleccionado un tiempo diferido hasta que se oprima la tecla 'START/Cancel'. • Toda la información en los indicadores destellará si la puerta se abre durante un ciclo en curso o un tiempo diferido. • El ciclo en curso seleccionado destellará si el consumidor intenta cambiar el ciclo después que el ciclo se ha "enclavado".

*Las nombres de los productos son las marcas registradas de los respectivos fabricantes.



Localización y Solución de Averías

PROBLEMA	SOLUCIÓN
Los vasos están nublados/ manchados	<ul style="list-style-type: none"> • Seleccione la opción de lavado de temperatura alta. • Verifique la temperatura del agua. La temperatura del agua de entrada debe ser de 120°F (49°C). • Siempre use un aditivo de enjuague. • Verifique si la nubosidad puede quitarse sumergiendo el artículo en vinagre blanco durante aproximadamente 5 minutos. Si desaparece, el problema se debe a que el agua es dura. Ajuste la cantidad de detergente que está usando de acuerdo con la dureza del agua (Pág. 29). Asegúrese de que el detergente sea fresco, esté guardado de manera apropiada y es de una marca de alta calidad. • Si la nubosidad no puede quitarse, quiere decir que se ha producido erosión de la superficie debido a que el agua está demasiado caliente, a que se usó demasiado detergente o por haber sido prelavado. El detergente necesita restos de alimentos sobre los cuales actuar. Si se ha producido erosión de la superficie, ajuste la cantidad de detergente de acuerdo con la dureza del agua, no realice prelavados y use las opciones de calentamiento del agua solamente cuando la temperatura del agua de entrada sea inferior a 120°F (49°C).
Los platos quedan con manchas de alimentos	<ul style="list-style-type: none"> • Verifique la temperatura del agua. La temperatura del agua de entrada debe ser de 120°F (49°C). • Deje correr el agua caliente en el fregadero antes de poner en marcha el lavavajillas. • Verifique la dureza del agua y agregue la cantidad de detergente de acuerdo con ello (Pág. 29). • Use detergente fresco que ha estado guardado en un lugar fresco y seco. • Seleccione el ciclo apropiado para el nivel de suciedad y Hi Temp Wash (modelos selectos) (Pág. 30). • Asegúrese de que el conector del brazo rociador de la rejilla superior e intermedia esté correctamente alineado en uno de los agujeros de entrada del agua (Pág. 28). • Coloque los artículos de modo que no bloqueen los brazos rociadores. (Pág. 28). • Cargue la canastilla de los utensilios con los mangos de los cuchillos hacia arriba y los mangos de las cucharas y tenedores hacia abajo a través de las ranuras de las cubiertas. • No coloque vasos sobre los soportes. • Antes de cargar el lavavajillas, raspe los alimentos quemados de los platos y limpie la película feculenta de los utensilios usados con fideos, arroz y harina de avena. Estos residuos requieren más energía para limpiarlos que el resto de la vajilla.
Los artículos que se lavan en el lavavajillas o la tina del lavavajillas están manchados o descoloridos	<ul style="list-style-type: none"> • Los utensilios u ollas de aluminio pueden dejar marcas cuando rozan otros artículos. Deje un pequeño espacio entre los artículos. • Los depósitos de hierro que contiene el agua pueden dejar una película amarilla, marrón o naranja en los platos o en la tina del lavavajillas. Puede que sea necesario usar un filtro. Consulte con una compañía de tratamiento de agua. • Separe los artículos de plata o plateados de los artículos de acero inoxidable. Estos metales pueden dañarse al tener contacto entre si durante el lavado. • El color de las salsas de tomate puede adherirse a la tina (Pág. 32). Si han ocurrido manchas leves, deje la puerta abierta para oxidar la mancha y eliminarla. Usar un detergente que contenga cloro para eliminar mejor las manchas. • Ciertos detergentes de lavavajillas pueden manchar los artículos de plata. Use otra marca de detergente.
Los artículos no quedan bien secos/hay humedad en el interior de la tina después del ciclo de secado	<ul style="list-style-type: none"> • Asegúrese de que se haya seleccionado la opción 'Heated Dry' (Secado Caliente). • Se pueden formar gotas de agua en la puerta interior como parte del proceso de secado. • Use regularmente un aditivo de enjuague tal como 'Jet Dry'* o 'Cascade Rinse Aid'* para mejorar el secado. Gire el selector del aditivo de enjuague a la posición 'MAX'. • Verifique la temperatura del agua. La temperatura del agua de entrada debe ser de 120°F (49°C). • Seleccione la opción de lavado de temperatura alta. • Aumente la cantidad de detergente de acuerdo con la dureza del agua (Pág. 29). • Cargue debidamente el lavavajillas. (Pág. 28). • El plástico y los artículos con superficies antiadherentes son difíciles de secar pues tienen superficies porosas que tienden a retener gotas de agua. Puede ser necesario secarlas con un paño. • Los vasos, tazas, etc., con fondos cóncavos retienen agua y deben ser secados con toalla. Ubique estos artículos en el lado más inclinado de la rejilla para obtener mejores resultados.
Los platos se pican	<ul style="list-style-type: none"> • Acomode los platos siguiendo las instrucciones para que no se golpeen unos contra otros. (Pág. 28). • No se recomienda lavar loza/cristal fino antiguo en el lavavajillas. • No coloque los vasos sobre los soportes. • No sobrecargue el lavavajillas.

*Las nombres de los productos son las marcas registradas de los respectivos fabricantes.



Garantía y Servicio

Garantía

Garantía limitada de un año –

Piezas y mano de obra

Durante **un (1) año** a partir de la fecha original de compra al detal, se reparará o reemplazará gratuitamente cualquier pieza que falle durante el uso normal en el hogar.

Residentes Canadienses

Las garantías anteriores cubren solamente aquellos electrodomésticos instalados en Canadá que han sido certificados o aprobados por las agencias de prueba correspondientes para cumplimiento con la Norma Nacional de Canadá a menos que el electrodoméstico haya sido traído a Canadá desde los EE.UU. debido a un cambio de residencia.

*Las garantías específicas expresadas anteriormente son las **UNICAS** garantías provistas por el fabricante. Estas garantías le otorgan derechos legales específicos y usted puede tener además otros derechos que varían de un estado a otro.*

LA ÚNICA Y EXCLUSIVA SOLUCIÓN PARA EL CLIENTE BAJO ESTA GARANTÍA LIMITADA ES LA REPARACIÓN DEL PRODUCTO SEGÚN SE INDICA AQUÍ. LAS GARANTÍAS IMPLÍCITAS, INCLUYENDO LAS GARANTÍAS DE COMERCIALIZACIÓN O DE APTITUD PARA UN PROPÓSITO EN PARTICULAR ESTÁN LIMITADAS A UN AÑO O AL PERÍODO DE TIEMPO MÍNIMO PERMITIDO POR LA LEY. MAYTAG CORPORATION NO SERÁ RESPONSABLE DE DAÑOS INCIDENTALES O CONSECUENTES. ALGUNOS ESTADOS Y PROVINCIAS NO PERMITEN LA EXCLUSIÓN O LIMITACIÓN DE DAÑOS INCIDENTALES O CONSECUENTES O LA LIMITACIÓN DE LA DURACIÓN DE LAS GARANTÍAS IMPLÍCITAS DE COMERCIALIZACIÓN O APTITUD, POR LO QUE ESTAS EXCLUSIONES O LIMITACIONES PUEDEN NO APLICARSE EN SU CASO. ESTA GARANTÍA LE OTORGA DERECHOS LEGALES ESPECÍFICOS. USTED TAMBIÉN PUEDE TENER OTROS DERECHOS QUE VARÍAN DE UN ESTADO A OTRO O DE UNA PROVINCIA A OTRA.

Lo que no cubren estas garantías

1. Situaciones y daños resultantes de cualquiera de las siguientes situaciones:
 - a. Instalación, entrega o mantenimiento inapropiados.
 - b. Cualquier reparación, modificación, alteración o ajuste no autorizados por el fabricante o taller de servicio autorizado.
 - c. Mal uso, abuso, accidentes, uso no razonable o hechos fortuitos.
 - d. Corriente, voltaje, suministro eléctrico o suministro de gas incorrectos.
 - e. Ajuste inadecuado de cualquier
2. Las garantías quedan nulas si los números de serie originales han sido retirados, alterados o no se pueden determinar fácilmente.
3. Bombillas, filtros de agua y filtros de aire.
4. Los productos comprados para uso comercial o industrial.
5. El costo del servicio o llamada de servicio para:
 - a. Corregir errores de instalación. Para los productos que requieran ventilación, se deben usar conductos de metal rígido.
 - b. Instruir al usuario en el uso adecuado del producto.
 - c. Transporte del electrodoméstico al establecimiento de servicio y de regreso.
6. Cualquier pérdida de alimentos debido a fallas del refrigerador o congelador.
7. Costos de viaje y transporte de servicio en áreas remotas.
8. Esta garantía no se aplica fuera de los Estados Unidos y Canadá. Póngase en contacto con su distribuidor para determinar si se aplica cualquier otra garantía.
9. Los daños consecuentes o incidentales sufridos por cualquier persona como resultado del incumplimiento de esta garantía. En algunos estados no se permite la exclusión o limitación de daños consecuentes o incidentales, por lo tanto la limitación o exclusión anterior puede no aplicarse en su caso.

Si necesita servicio

Primero revise la sección de localización y solución de averías en su guía de uso y cuidado o llame al distribuidor donde adquirió el electrodoméstico. También puede llamar a Maytag Services, LLC, Atención al cliente, al 1-800-688-9900 en EE.UU. y al 1-800-688-2002 en Canadá para ubicar a un agente de servicio calificado.

- Asegúrese de conservar el comprobante de compra para verificar el estado de la garantía. Consulte la sección sobre la GARANTÍA para mayor información sobre las responsabilidades del propietario para obtener servicio bajo la garantía.
- Si el distribuidor o la compañía de servicio no pueden resolver el problema, escriba a Maytag Services, LLC, Attn: CAIR® Center, P.O. Box 2370, Cleveland, TN 37320-2370 o llame al **1-800-688-9900 en EE.UU. y al 1-800-688-2002 en Canadá.**
- Las guías del propietario, manuales de servicio e información sobre las piezas pueden solicitarse a Maytag Services, LLC, Atención al cliente.

Notas: Cuando llame o escriba acerca de un problema de servicio, por favor incluya la siguiente información:

- a. Su nombre, dirección y número de teléfono;
- b. Número de modelo y número de serie;
- c. Nombre y dirección de su distribuidor o técnico de servicio;
- d. Una descripción clara del problema que está experimentando;
- e. Comprobante de compra (recibo de compra).